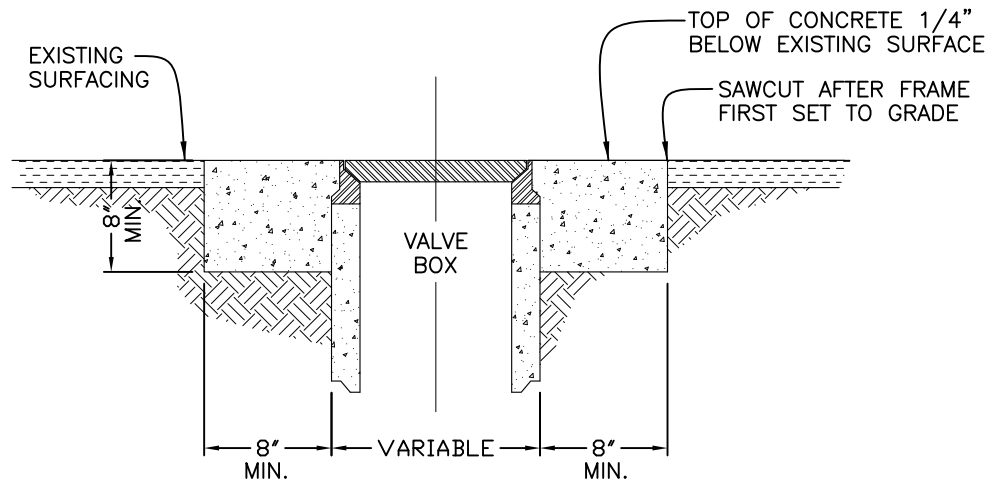


PLAN
N.T.S.

NOTES

1. DIMENSIONS TO BE SAME FOR ALL SIZES OR TYPES OF OPENINGS.
2. ALL VALVE BOXES SHALL BE INSTALLED WITH A CONCRETE PAD.
3. CONCRETE MAY BE DELETED ON ROAD MIX STREETS UPON APPROVAL OF INSPECTOR.
4. CONCRETE TO BE CLASS "A" (SIX SACK).
5. CONCRETE TO BE BARRICADED FOR THREE DAYS AFTER POURING.
6. CONCRETE CURE TO BE IN ACCORDANCE WITH SECTION 90-7 "CURING CONCRETE" OF THE CALTRANS STANDARD SPECIFICATIONS OR PER COUNTY REQUIREMENTS.
7. VALVE BOX TO BE CHRISTY/OLDCASTLE G05T BOX WITH G05CT LID. LIDS SHALL BE MARKED "WATER"
8. RISER MATERIAL WILL BE SDR 35 8" DIAMETER, EXTENDED 6" INTO G05 BOX.
9. VALVE BOX LIDS SHALL BE SCREWED DOWN.



ELEVATION
N.T.S.

REV. DATE: 2/18/19

OILDALE MUTUAL WATER CO.

POTABLE/DOMESTIC
VALVE BOX ASSEMBLY

DATE: 8/1/13

PLATE No. 11