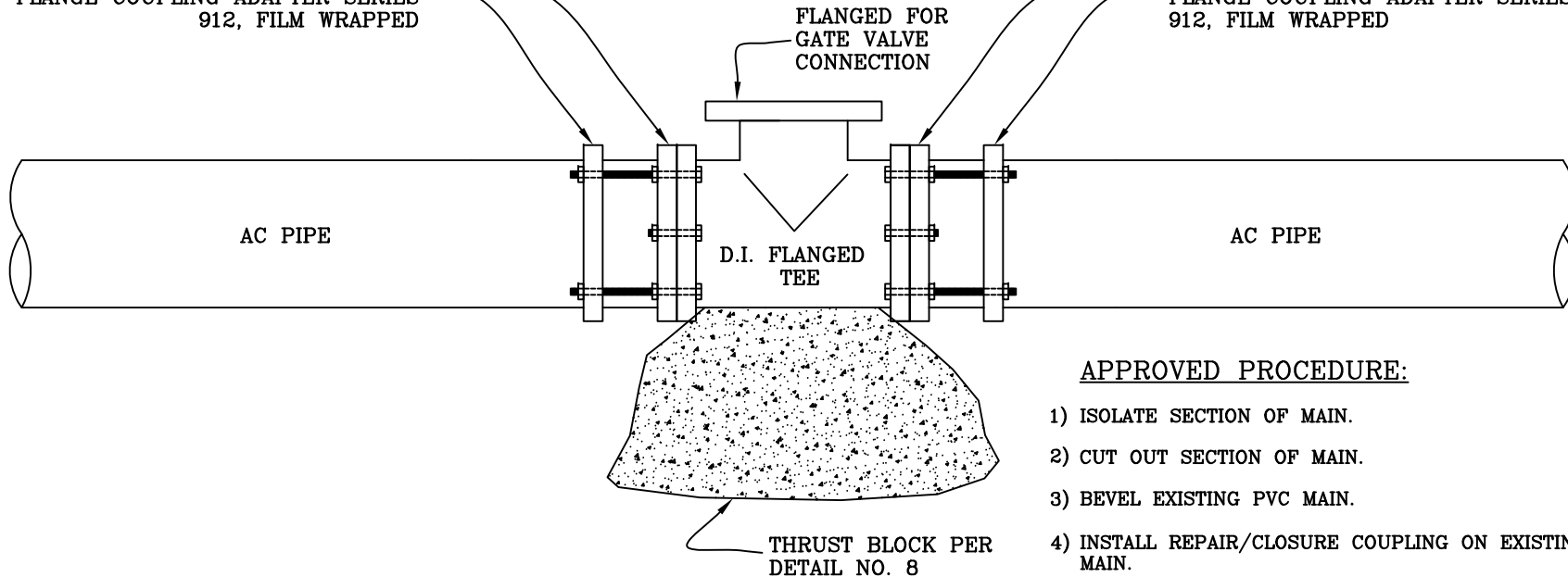


ROMAC FLANGE COUPLING ADAPTER
SERIES FCA-601 OR SMITH-BLAIR
FLANGE COUPLING ADAPTER SERIES
912, FILM WRAPPED

ROMAC FLANGE COUPLING ADAPTER
SERIES FCA-601 OR SMITH-BLAIR
FLANGE COUPLING ADAPTER SERIES
912, FILM WRAPPED



APPROVED PROCEDURE:

- 1) ISOLATE SECTION OF MAIN.
- 2) CUT OUT SECTION OF MAIN.
- 3) BEVEL EXISTING PVC MAIN.
- 4) INSTALL REPAIR/CLOSURE COUPLING ON EXISTING PVC MAIN.
- 5) INSTALL SECTIONS OF C900 OR C905 PVC INTO RUN ENDS OF TEE, WITH BEVELED ENDS OUT.
- 6) INSTALL TEE/GV AND SLIDE THE REPAIR/CLOSURE COUPLINGS TOWARDS TEE.
- 7) SEE OMWC FOR DISINFECTION PROCEDURES.

NOTES:

1. ALL THRUST BLOCKS TO BE POURED AGAINST UNDISTURBED SOIL, PRIOR TO POURING. OMWC WILL TEST SOIL FOR COMPACTION.
2. POLYETHYLENE PLASTIC FILM WRAP SHALL BE PLACED AROUND ALL BURIED DUCTILE IRON VALVES AND FITTINGS. FILM WRAP SHALL BE OF VIRGIN POLYETHYLENE AND MEET THE REQUIREMENTS OF ASTM D-1248 FOR TYPE 1, CLASS A, GRADE E-1 AND ASTM D-1238. FILM WRAP SHALL BE 10 MILS IN THICKNESS.
3. ALL THRUST BLOCKS SHALL BE ALLOWED TO CURE, UNDISTURBED, AND MUST BE APPROVED BY OMWC PRIOR TO BACKFILL.
4. CONCRETE STRENGTH SHALL BE 2000 PSI AT 28 DAYS MINIMUM AND SHALL NOT COME INTO DIRECT CONTACT WITH PIPE AND FITTINGS OR VALVES.
5. SEE PLATES NO. 8 AND NO. 9 FOR THRUST BLOCK SIZING TABLES.

OILDALE MUTUAL WATER CO.

POTABLE/DOMESTIC
TIE-IN DETAIL
"AC" PIPE

DATE: 8/1/13

PLATE No. 20