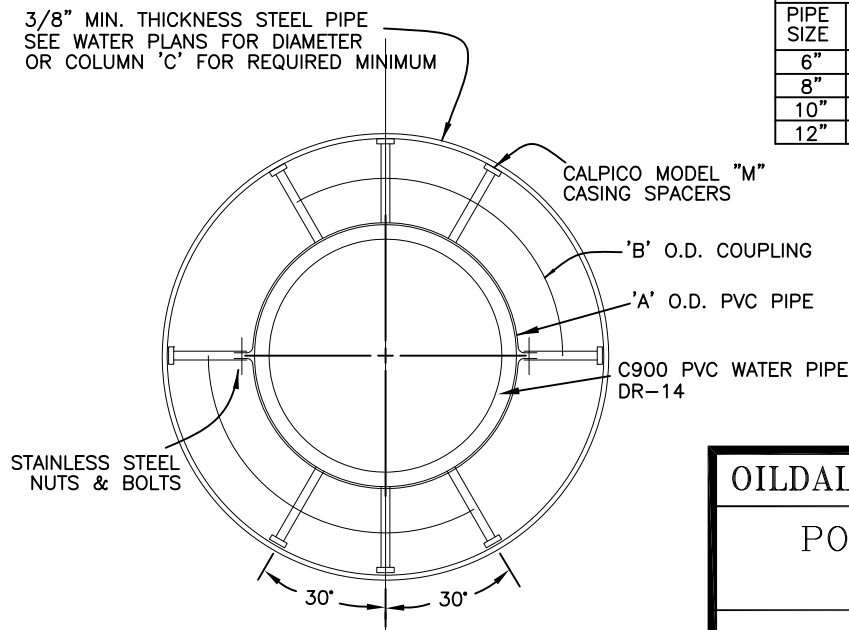


NOTES:

1. STEEL CASING SHALL BE INSTALLED USING THE BORE, JACK AND/OR TUNNEL METHOD.
2. FULL PENETRATING WELDS SHALL BE USED TO JOIN CASING SECTIONS
3. CASING SPACERS SHALL BE INSTALLED AT 5 FT. INTERVALS OR AS RECOMMENDED BY THE PIPE MANUFACTURER. IN ANY CASE MINIMUM JOINT DEFLECTION SHALL BE OBSERVED.
4. CARE SHALL BE EXERCISED DURING INSTALLATION IN ORDER TO PREVENT DAMAGE TO PIPE AND BELL.
5. CONTRACTOR SHALL FOLLOW PIPE INSTALLATION PROCEDURES AS DETAILED BY THE PIPE MANUFACTURER.

DIAMETER SCHEDULE			
PIPE SIZE	A	B	C (MINIMUM ID)
6"	6.625"	7.84"	14"
8"	8.625"	10.19"	17.5"
10"	10.75"	12.44"	21.5"
12"	12.75"	14.65"	23"



OILDALE MUTUAL WATER CO.

POTABLE/DOMESTIC  
ROAD BORE

DATE: 8/1/13

PLATE No. 21