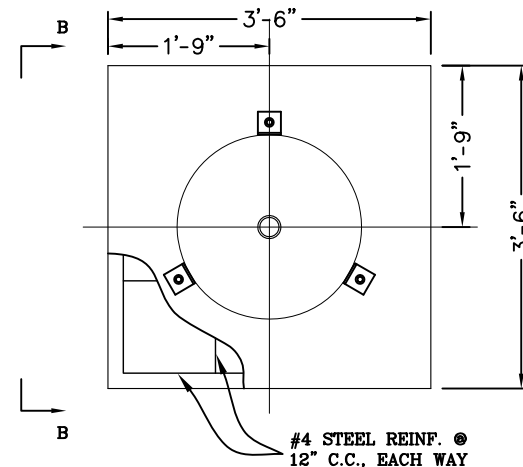


NOTES:

1. THE CONTRACTOR SHALL VERIFY ALL DIMENSIONS OF PIPE, VALVES AND COVER TO ASSURE ADEQUATE CLEARANCES ARE GIVEN BETWEEN THE SAME.
2. CONTRACTOR SHALL TAKE CARE TO PROTECT ANY PVC PIPE USED FOR TRANSMISSION LINE PIPING DURING THE CONSTRUCTION OF THE VALVE COVER AND AIR RELEASE VALVE INSTALLATION SO AS TO NOT PLACE EXCESSIVE LOADS ON THE PIPE.
3. AIR RELEASE VALVES SHALL BE EPOXY LINED. EPOXY SHALL BE #134 SCOTCHKOTE SYSTEM.
4. SOIL MATERIAL AND COMPACTION REQUIREMENTS SHALL BE THE SAME AS THE TRENCH DETAIL PLATE NO. 6 HEREON.
5. ONE 1/2" ϕ HOLE EVERY FOUR-INCHES AROUND CIRCUMFERENCE OF COVER TOP.
6. ALL ABOVE GROUND PIPE, VALVES, CONNECTIONS, & BOLLARDS SHALL BE PAINTED AS REQUIRED BY OILDALE MUTUAL WATER COMPANY.
7. ALL BURIED STEEL PIPE FITTINGS AND APPURTENANCES SHALL BE FILM WRAPPED W/10 MIL TAPE TO A THICKNESS OF 20 MILS.
8. CONCRETE FOR FOOTING SHALL BE 3000 PSI MIN.
9. HEIGHT OF VALVE COVER SHALL BE 3'-0" FOR 2" COMBINATION AIR RELEASE VALVES (TYP.).
10. VALVE COVER SHALL BE ARMORCAST #P002001-SANDSTONE COLOR OR OMWC APPROVED EQUAL



AIR RELEASE VALVE COVER DETAILS

NOT TO SCALE

REV. DATE: 2/28/16

OILDALE MUTUAL WATER CO.

POTABLE/DOMESTIC
AIR RELEASE VALVE COVER DETAIL

DATE: 8/1/13

PLATE NO. 24