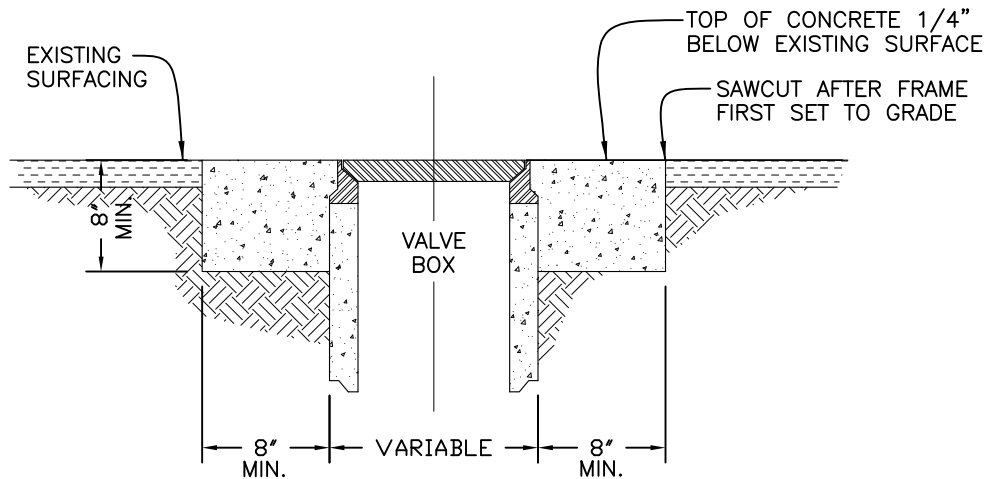


VALVE BOX SHALL BE OLDCASTLE / CHRISTY
G04 BOX W/ G04C LID IN PURPLE - OMWC APPROVED COLOR
LIDS SHALL BE MARKED "IRRIGATION"

NOTES

1. DIMENSIONS TO BE SAME FOR ALL SIZES OR TYPES OF OPENINGS.
2. ALL VALVE BOXES SHALL BE INSTALLED WITH CONCRETE A PAD.
3. CONCRETE MAY BE DELETED ON ROAD MIX STREETS UPON APPROVAL OF INSPECTOR.
4. CONCRETE TO BE CLASS "A" (SIX SACK).
5. CONCRETE TO BE BARRICADED FOR THREE DAYS AFTER POURING.
6. CONCRETE CURE TO BE IN ACCORDANCE WITH SECTION 90-7 "CURING CONCRETE" OF THE CALTRANS STANDARD SPECIFICATIONS OR PER COUNTY REQUIREMENTS.
7. RISER MATERIAL WILL BE SDR 35 8" DIAMETER, EXTENDED 6" INTO G04 BOX.
8. VALVE BOX LIDS SHALL BE SCREWED DOWN.

PLAN
N.T.S.



ELEVATION
N.T.S.

REV. DATE: 2/18/19

OILDALE MUTUAL WATER CO.

NON-POTABLE/IRRIGATION
VALVE BOX ASSEMBLY

DATE: 8/1/13

PLATE No. IRR-11