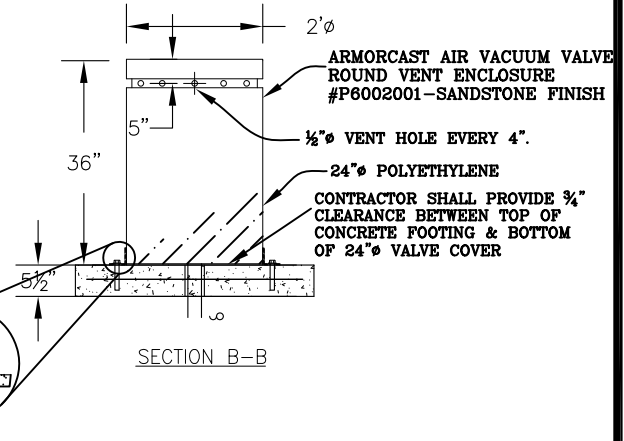


SECTION A-A
AIR RELEASE VALVE COVER DETAILS
NOT TO SCALE



REV. DATE: 2/28/16

NOTES

1. THE CONTRACTOR SHALL VERIFY ALL DIMENSIONS OF PIPE, VALVES AND COVER TO ASSURE ADEQUATE CLEARANCES ARE GIVEN BETWEEN THE SAME.
2. CONTRACTOR SHALL TAKE CARE TO PROTECT ANY PVC PIPE USED FOR TRANSMISSION LINE PIPING DURING THE CONSTRUCTION OF THE VALVE COVER AND AIR RELEASE VALVE INSTALLATION SO AS TO NOT PLACE EXCESSIVE LOADS ON THE PIPE.
3. AIR RELEASE VALVES SHALL BE EPOXY LINED. EPOXY SHALL BE #134 SCOTCHKOTE SYSTEM.
4. ONE 1/2" Ø HOLE EVERY FOUR-INCHES AROUND CIRCUMFERENCE OF COVER TOP.
5. ALL ABOVE GROUND PIPE, VALVES, CONNECTIONS, & BOLLARDS SHALL BE PAINTED AS REQUIRED BY OILDALE MUTUAL WATER COMPANY TO APPROVED COLOR.
6. ALL BURIED STEEL PIPE FITTINGS AND APPURTENANCES SHALL BE FILM WRAPPED.
7. CONCRETE PAD SHALL BE 3000 PSI MIN.
8. VALVE COVER SHALL BE ARMORCAST #P002001-SANDSTONE COLOR OR OMWC APPROVED EQUAL

OILDALE MUTUAL WATER COMPANY	
POTABLE/DOMESTIC 2" AIR RELEASE VALVE DETAIL NON-TRAFFIC AREAS	
DATE: 8/1/13	PLATE No. 22