

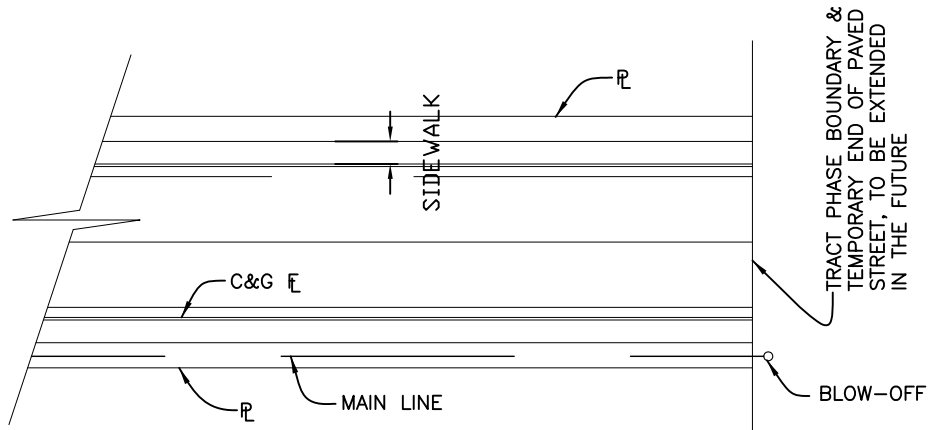
NOTES:

1. ALL THRUST BLOCKS TO BE POURED AGAINST UNDISTURBED SOIL, PRIOR TO POURING. OMWC WILL TEST SOIL FOR COMPACTION.
2. POLYETHYLENE PLASTIC FILM WRAP SHALL BE PLACED AROUND ALL BURIED DUCTILE IRON VALVES AND FITTINGS. FILM WRAP SHALL BE OF VIRGIN POLYETHYLENE AND MEET THE REQUIREMENTS OF ASTM D-1248 FOR TYPE 1, CLASS A, GRADE E-1 AND ASTM D-1238. FILM WRAP SHALL BE 10 MILS IN THICKNESS.
3. ALL THRUST BLOCKS SHALL BE ALLOWED TO CURE, UNDISTURBED, AND MUST BE APPROVED BY OMWC PRIOR TO BACKFILL.
4. CONCRETE STRENGTH SHALL BE 2000 PSI AT 28 DAYS MINIMUM AND SHALL NOT COME INTO DIRECT CONTACT WITH PIPE AND FITTINGS OR VALVES.
5. SEE PLATES NO. 8 AND NO. 9 FOR THRUST BLOCK SIZING TABLES.

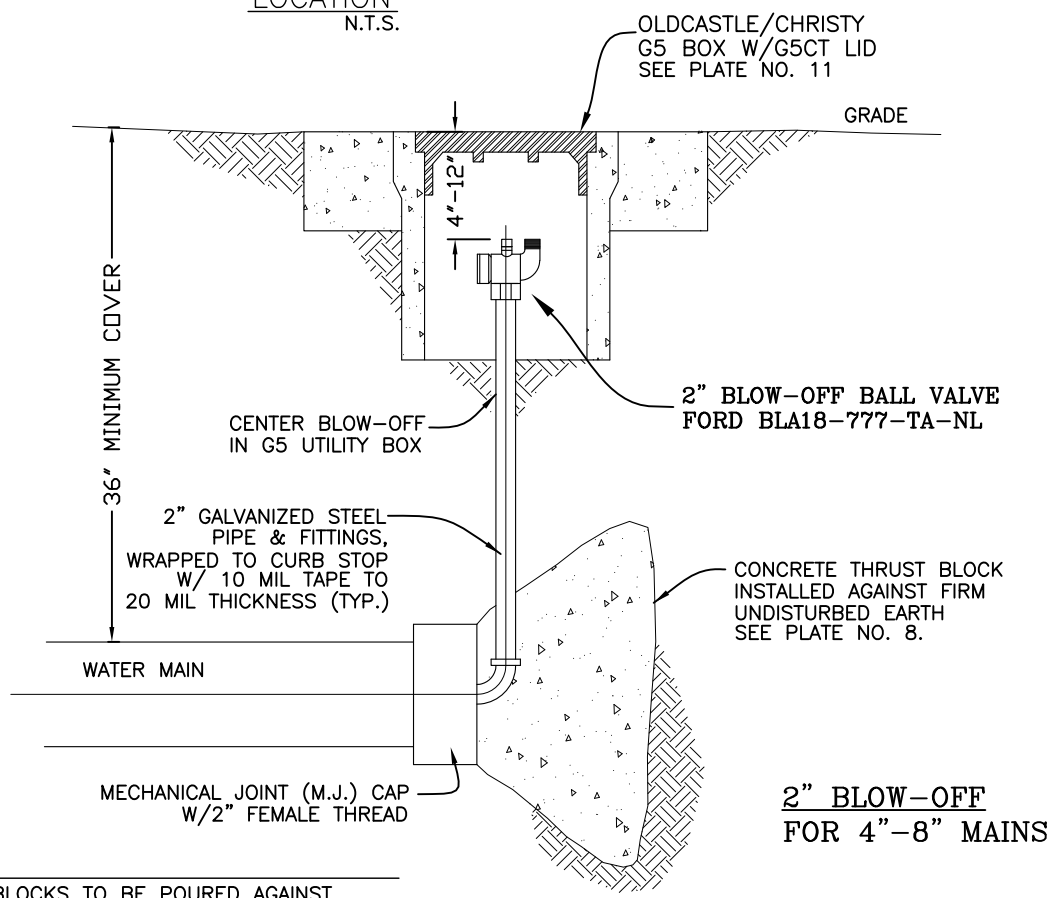
BLOW OFF ELEVATION
N.T.S.

REV. DATE: 1/2023

OILDALE MUTUAL WATER CO.		
POTABLE/DOMESTIC PERMANENT BLOW-OFF ASSEMBLY		
DATE:	8/1/13	PLATE No. 1A



LOCATION
N.T.S.



BLOW OFF ELEVATION
N.T.S.

NOTES:

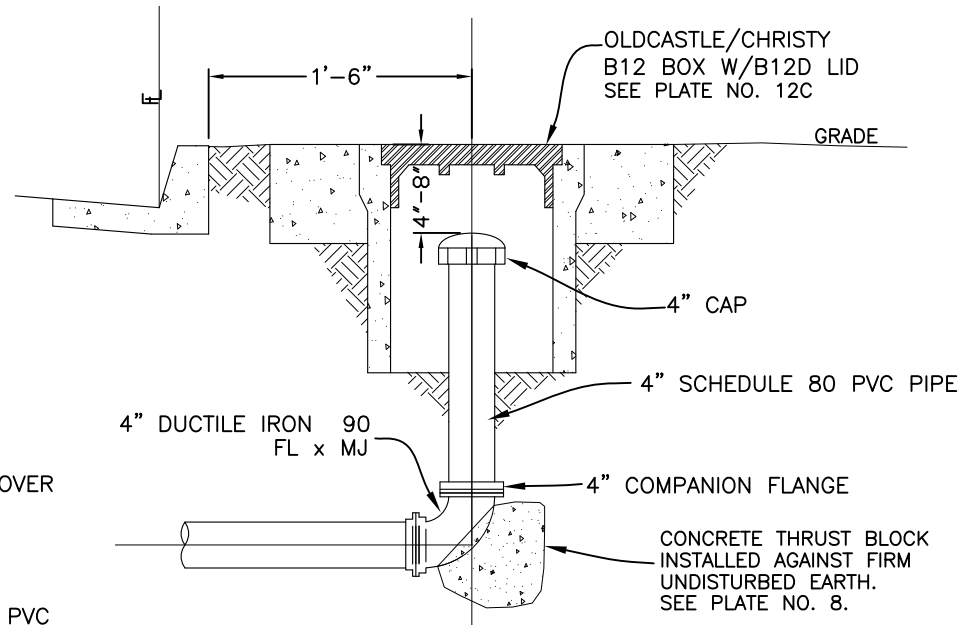
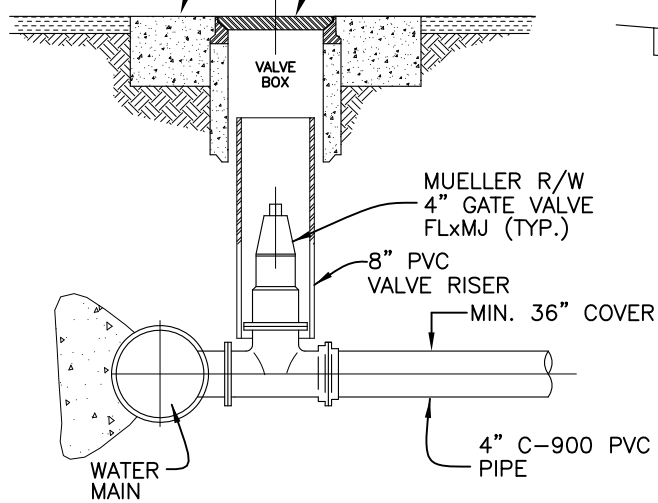
1. ALL THRUST BLOCKS TO BE POURED AGAINST UNDISTURBED SOIL, PRIOR TO POURING. OMWC WILL TEST SOIL FOR COMPACTION.
2. POLYETHYLENE PLASTIC FILM WRAP SHALL BE PLACED AROUND ALL BURIED DUCTILE IRON VALVES AND FITTINGS. FILM WRAP SHALL BE OF VIRGIN POLYETHYLENE AND MEET THE REQUIREMENTS OF ASTM D-1248 FOR TYPE 1, CLASS A, GRADE E-1 AND ASTM D-1238. FILM WRAP SHALL BE 10 MILS IN THICKNESS.
3. ALL THRUST BLOCKS SHALL BE ALLOWED TO CURE, UNDISTURBED, AND MUST BE APPROVED BY OMWC PRIOR TO BACKFILL.
4. CONCRETE STRENGTH SHALL BE 2000 PSI AT 28 DAYS MINIMUM AND SHALL NOT COME INTO DIRECT CONTACT WITH PIPE AND FITTINGS OR VALVES.
5. SEE PLATES NO. 8 AND NO. 9 FOR THRUST BLOCK SIZING TABLES.

REV. DATE: 1/2023

OILDALE MUTUAL WATER CO.	
POTABLE/DOMESTIC TEMPORARY BLOW-OFF ASSEMBLY	
DATE: 8/1/13	PLATE No. 1B

TOP OF CONCRETE
1/4" BELOW EXISTING
SURFACE

OLDCASTLE/CHRISTY
G5 BOX W/G5CT LID
SEE PLATE NO. 11



OLDCASTLE/CHRISTY
B12 BOX W/B12D LID
SEE PLATE NO. 12C

GRADE

4" CAP

4" SCHEDULE 80 PVC PIPE

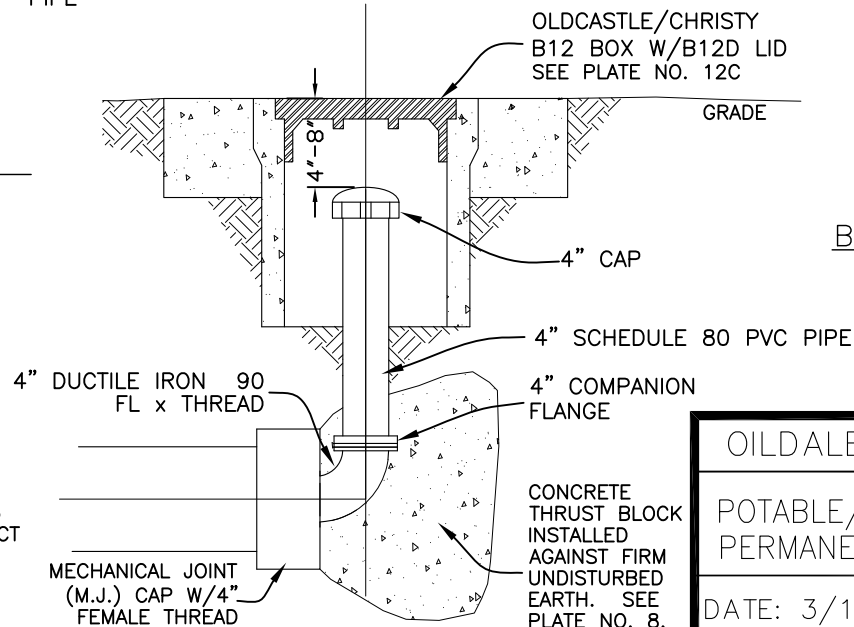
4" DUCTILE IRON 90
FL x MJ

4" COMPANION FLANGE

CONCRETE THRUST BLOCK
INSTALLED AGAINST FIRM
UNDISTURBED EARTH.
SEE PLATE NO. 8.

NOTES:

1. ALL THRUST BLOCKS TO BE POURED AGAINST UNDISTURBED SOIL, PRIOR TO POURING. OMWC WILL TEST SOIL FOR COMPACTION.
2. POLYETHYLENE PLASTIC FILM WRAP SHALL BE PLACED AROUND ALL BURIED DUCTILE IRON VALVES AND FITTINGS. FILM WRAP SHALL BE OF VIRGIN POLYETHYLENE AND MEET THE REQUIREMENTS OF ASTM D-1248 FOR TYPE 1, CLASS A, GRADE E-1 AND ASTM D-1238. FILM WRAP SHALL BE 10 MILS IN THICKNESS.
3. ALL THRUST BLOCKS SHALL BE ALLOWED TO CURE, UNDISTURBED, AND MUST BE APPROVED BY OMWC PRIOR TO BACKFILL.
4. CONCRETE STRENGTH SHALL BE 2000 PSI AT 28 DAYS MINIMUM AND SHALL NOT COME INTO DIRECT CONTACT WITH PIPE AND FITTINGS OR VALVES.
5. SEE PLATES NO. 8 AND NO. 9 FOR THRUST BLOCK SIZING TABLES.



OLDCASTLE/CHRISTY
B12 BOX W/B12D LID
SEE PLATE NO. 12C

GRADE

4" -8"

4" CAP

4" SCHEDULE 80 PVC PIPE

4" DUCTILE IRON 90
FL x THREAD

4" COMPANION
FLANGE

CONCRETE
THRUST BLOCK
INSTALLED
AGAINST FIRM
UNDISTURBED
EARTH. SEE
PLATE NO. 8.

MECHANICAL JOINT
(M.J.) CAP W/4"
FEMALE THREAD

**4" BLOW-OFF
FOR 12" &
LARGER MAINS**

BLOW OFF ELEVATION
N.T.S.

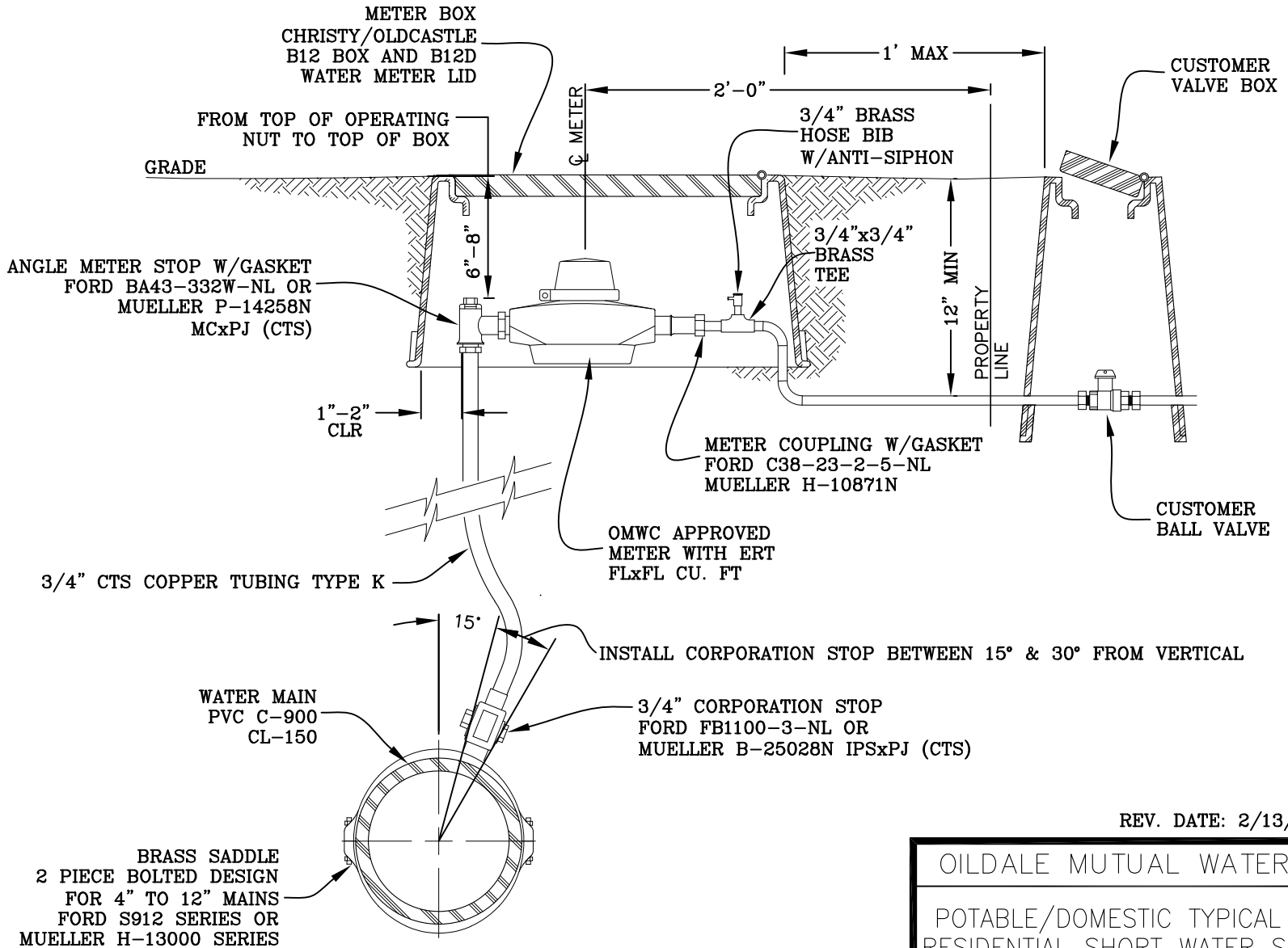
REV. DATE: 1/2023

OILDALE MUTUAL WATER CO.

POTABLE/DOMESTIC TEMPORARY &
PERMANENT BLOW-OFF ASSEMBLY

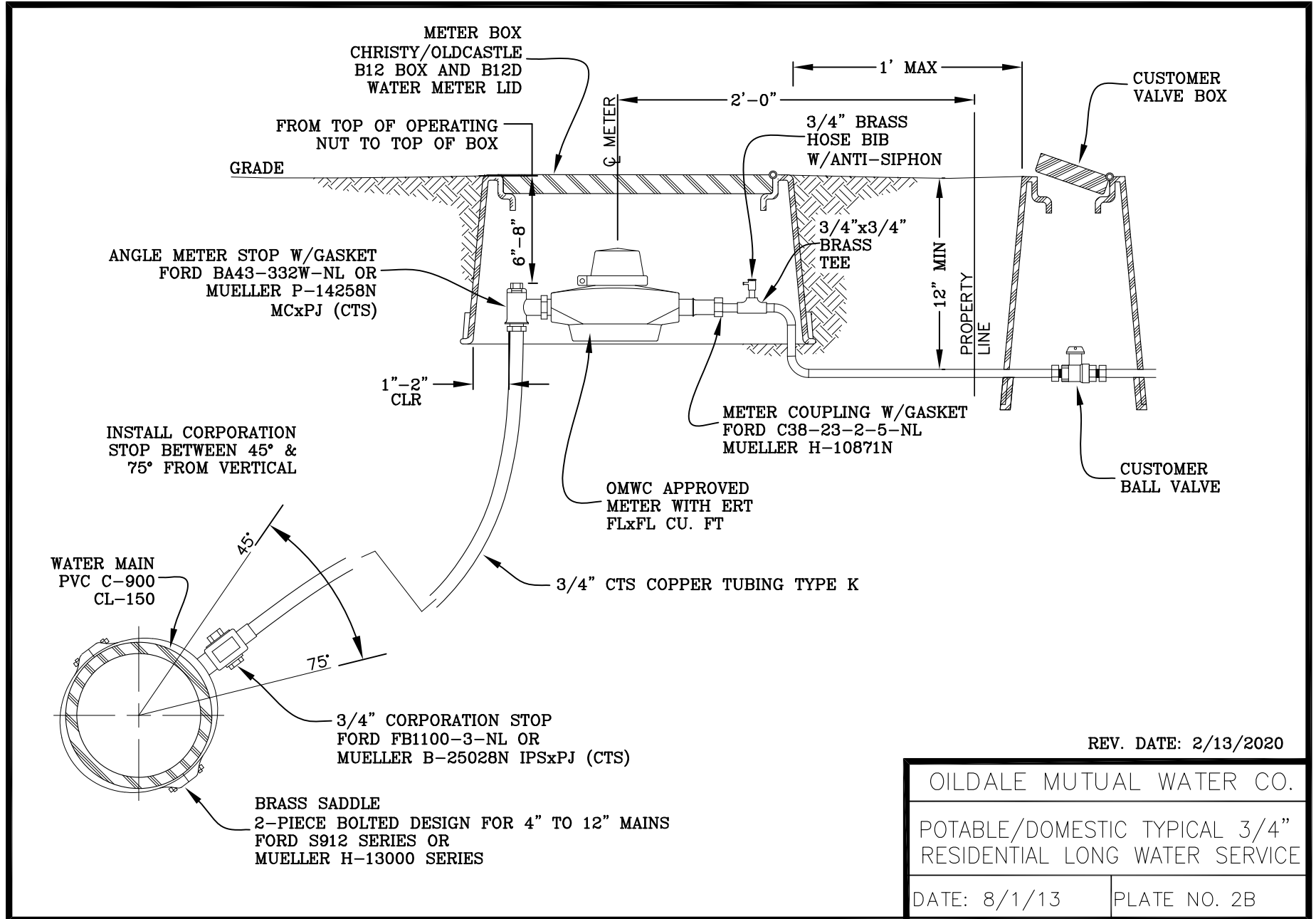
DATE: 3/13/17

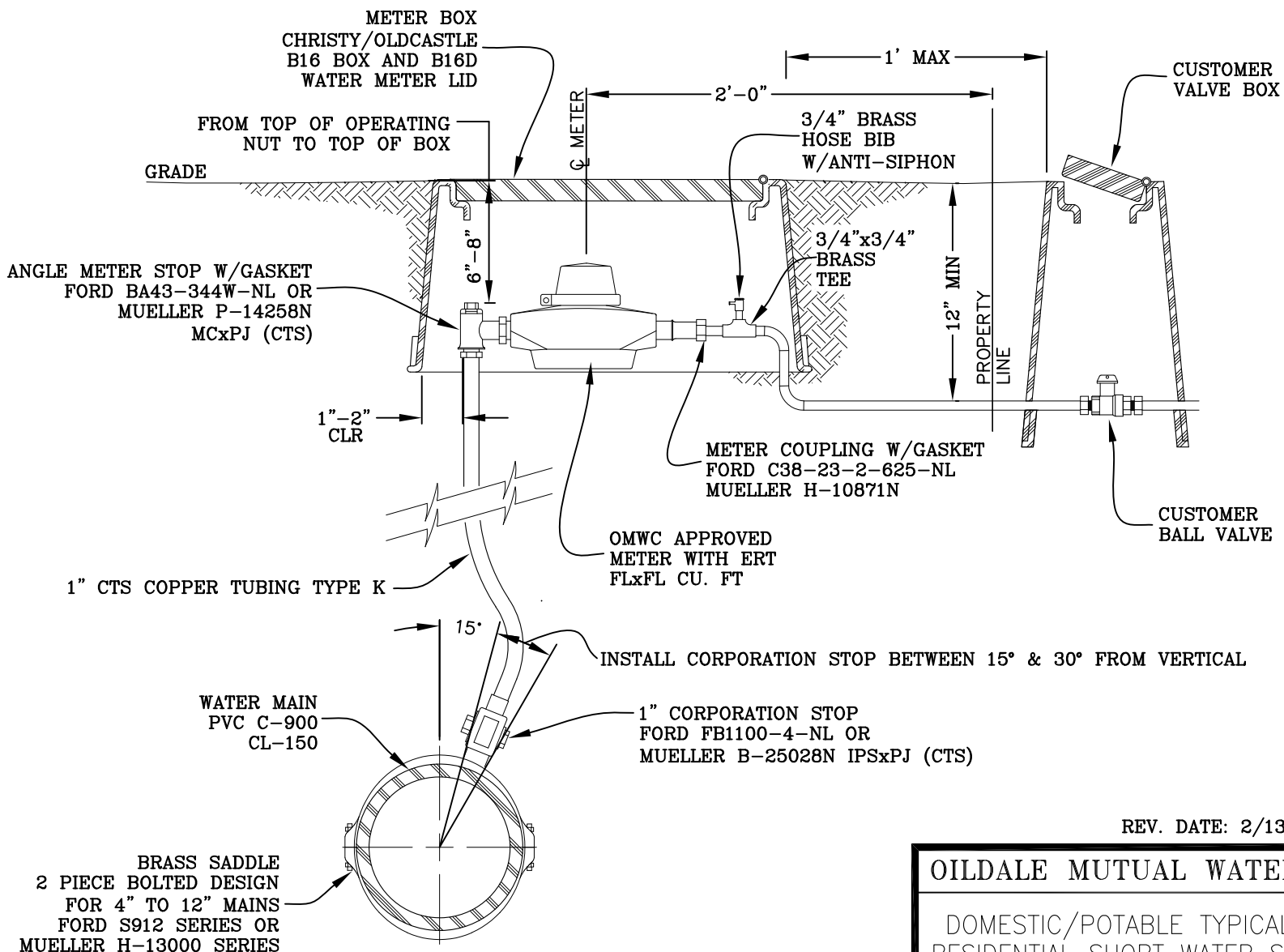
PLATE NO. 1C



REV. DATE: 2/13/2020

OILDALE MUTUAL WATER CO.	
POTABLE/DOMESTIC TYPICAL 3/4" RESIDENTIAL SHORT WATER SERVICE	
DATE: 8/1/13	PLATE NO. 2A





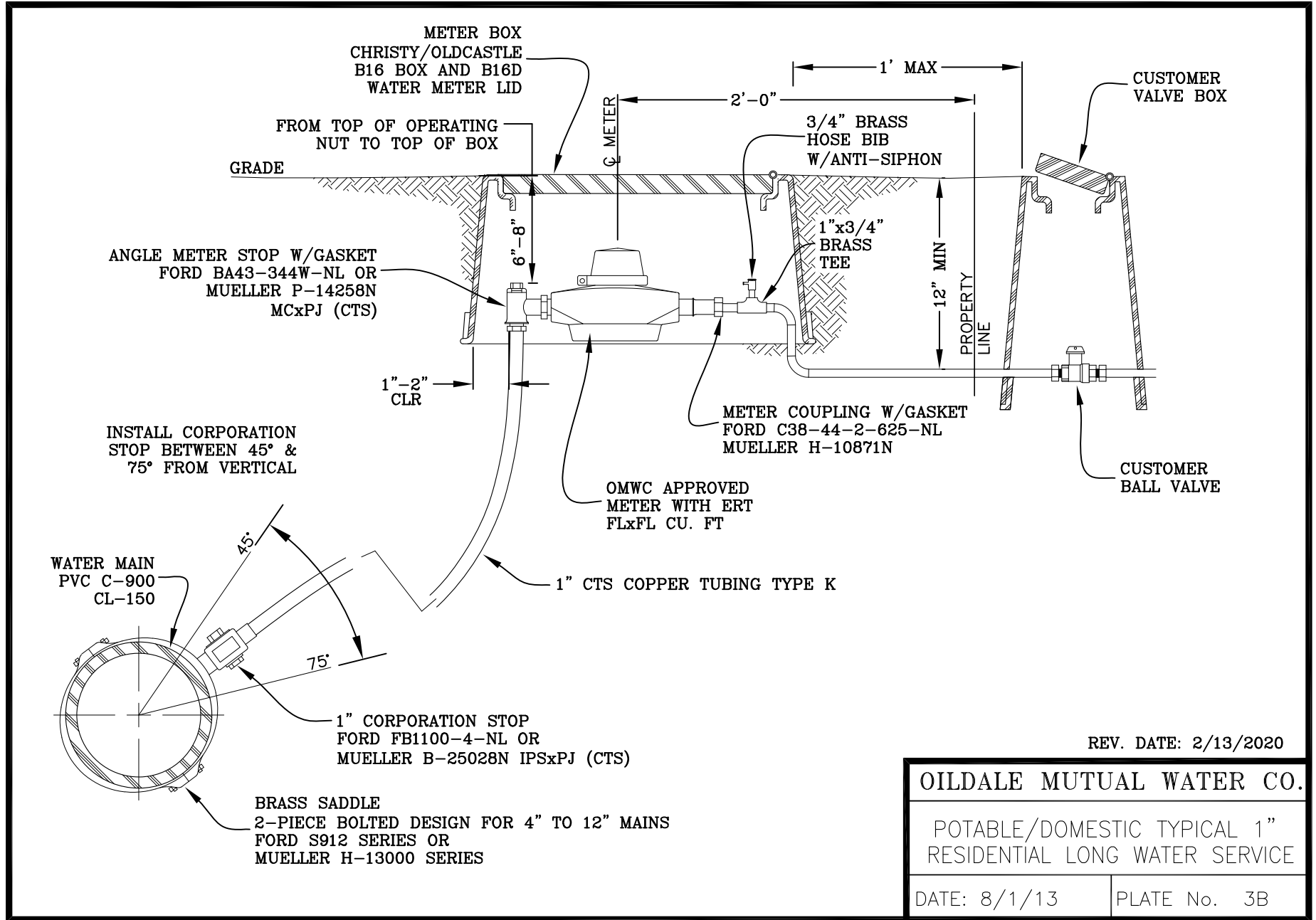
REV. DATE: 2/13/2020

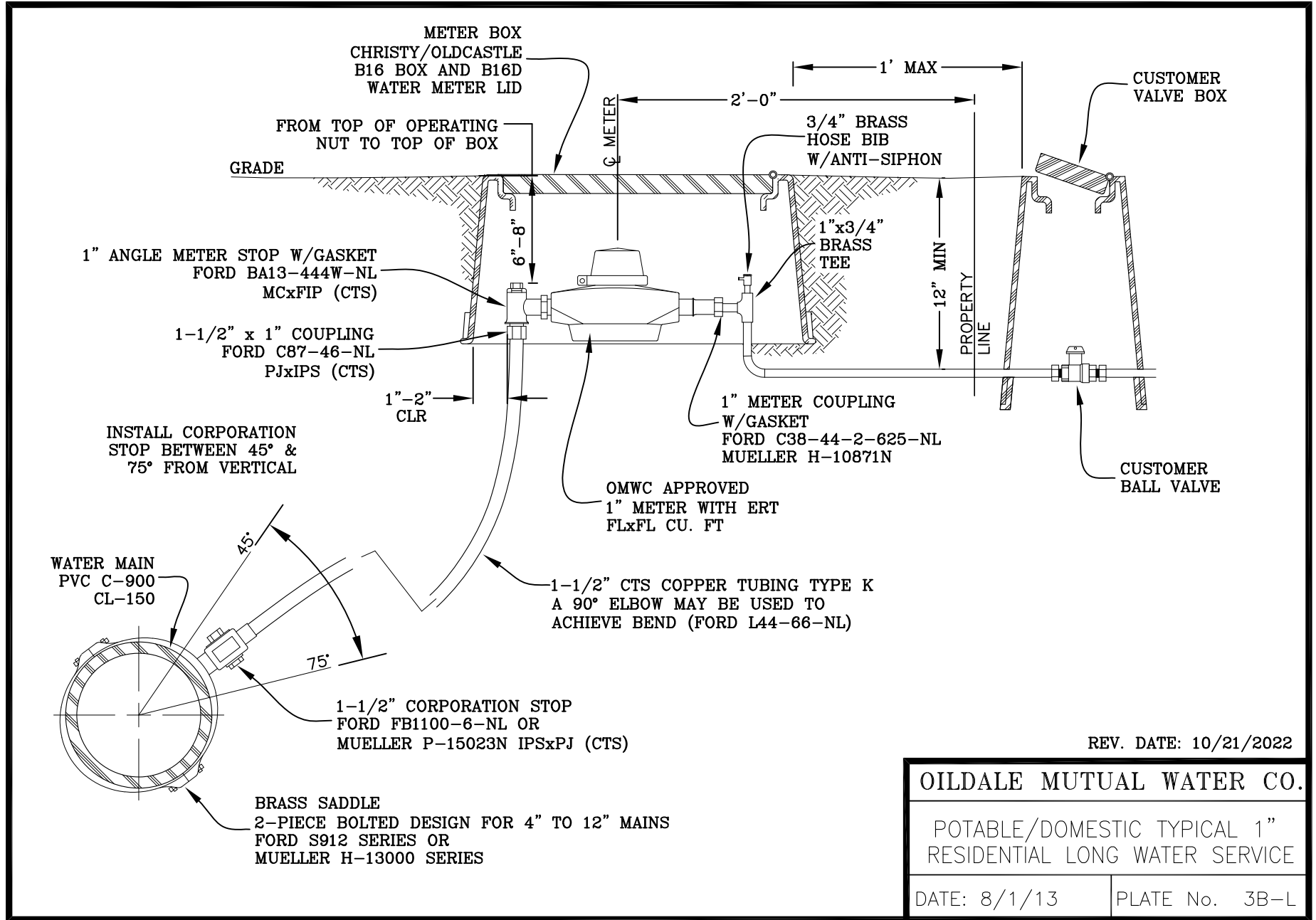
OILDALE MUTUAL WATER CO.

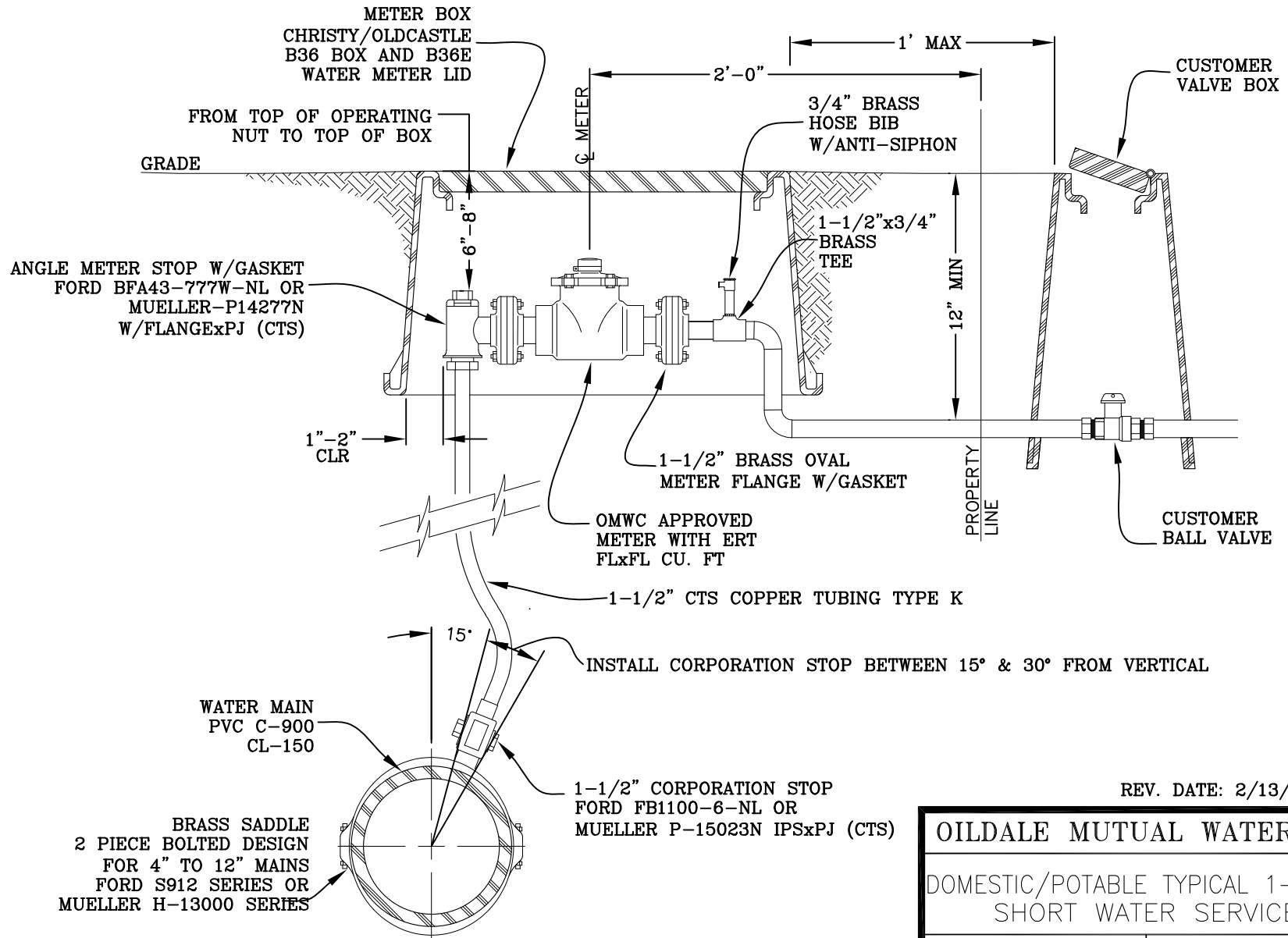
DOMESTIC/POTABLE TYPICAL 1"
RESIDENTIAL SHORT WATER SERVICE

DATE: 8/1/13

PLATE No. 3A







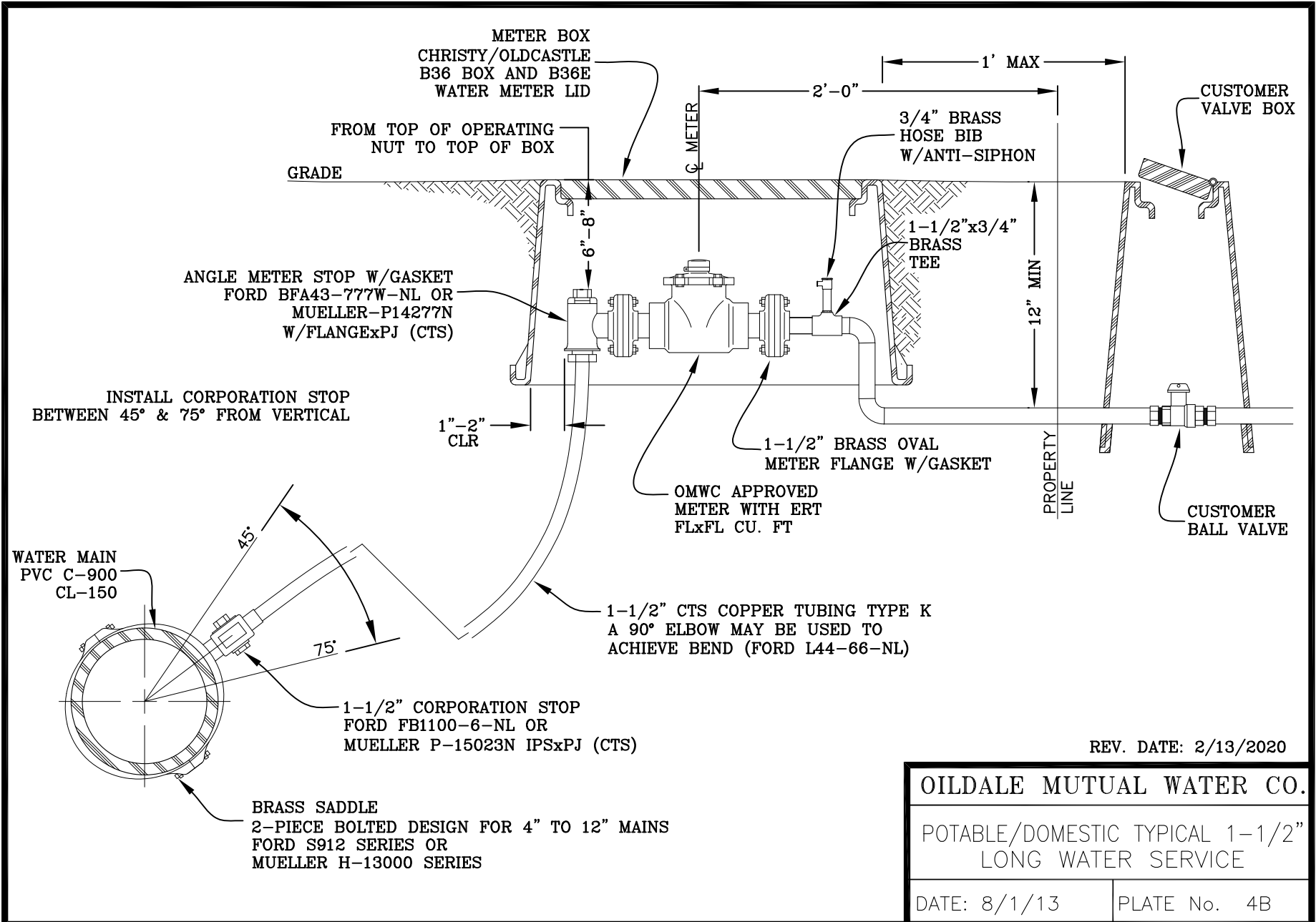
REV. DATE: 2/13/2020

OILDALE MUTUAL WATER CO.

DOMESTIC/POTABLE TYPICAL 1-1/2"
SHORT WATER SERVICE

DATE: 8/1/13

PLATE No. 4A



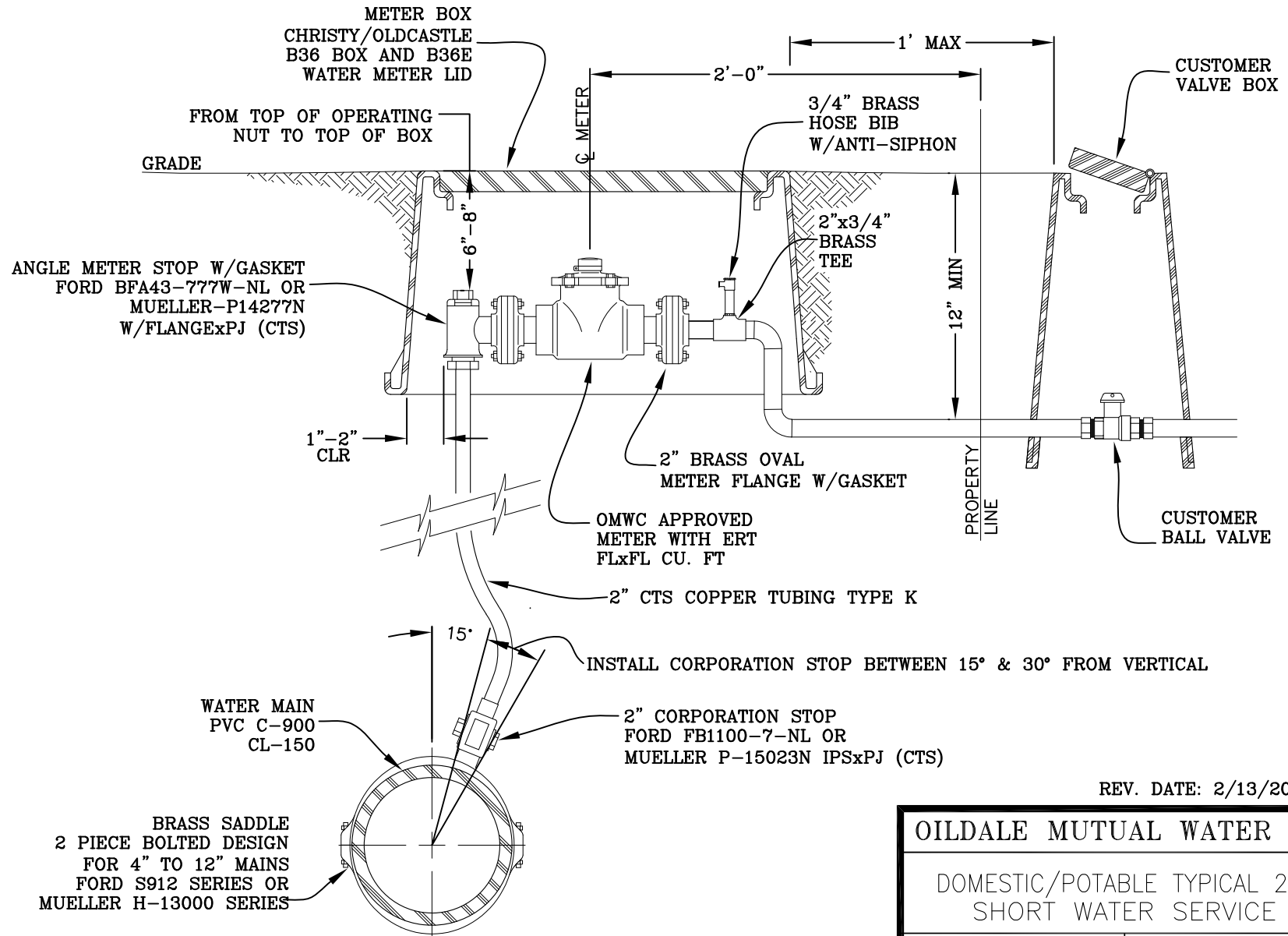
REV. DATE: 2/13/2020

OILDALE MUTUAL WATER CO.

POTABLE/DOMESTIC TYPICAL 1-1/2" LONG WATER SERVICE

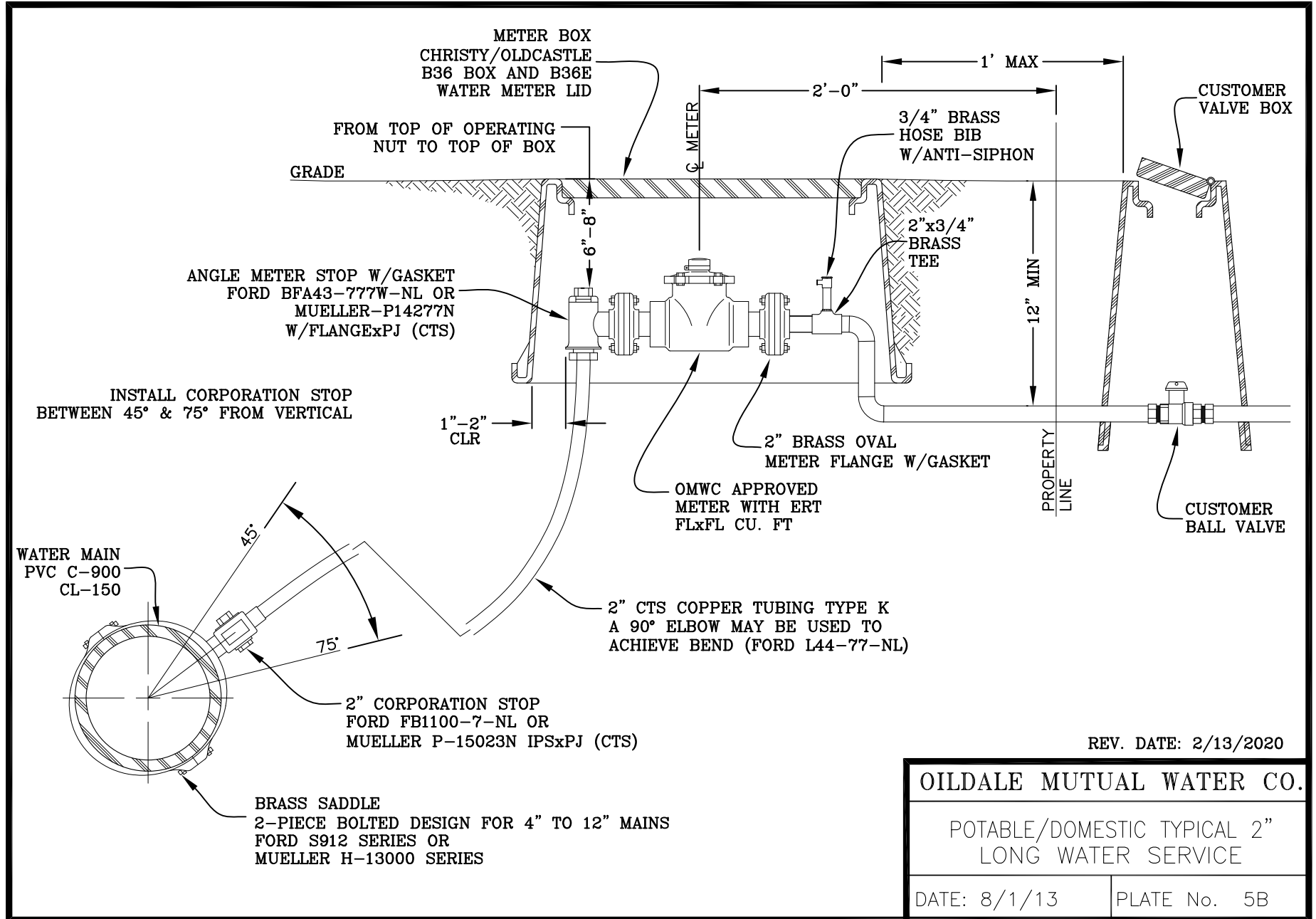
DATE: 8/1/13

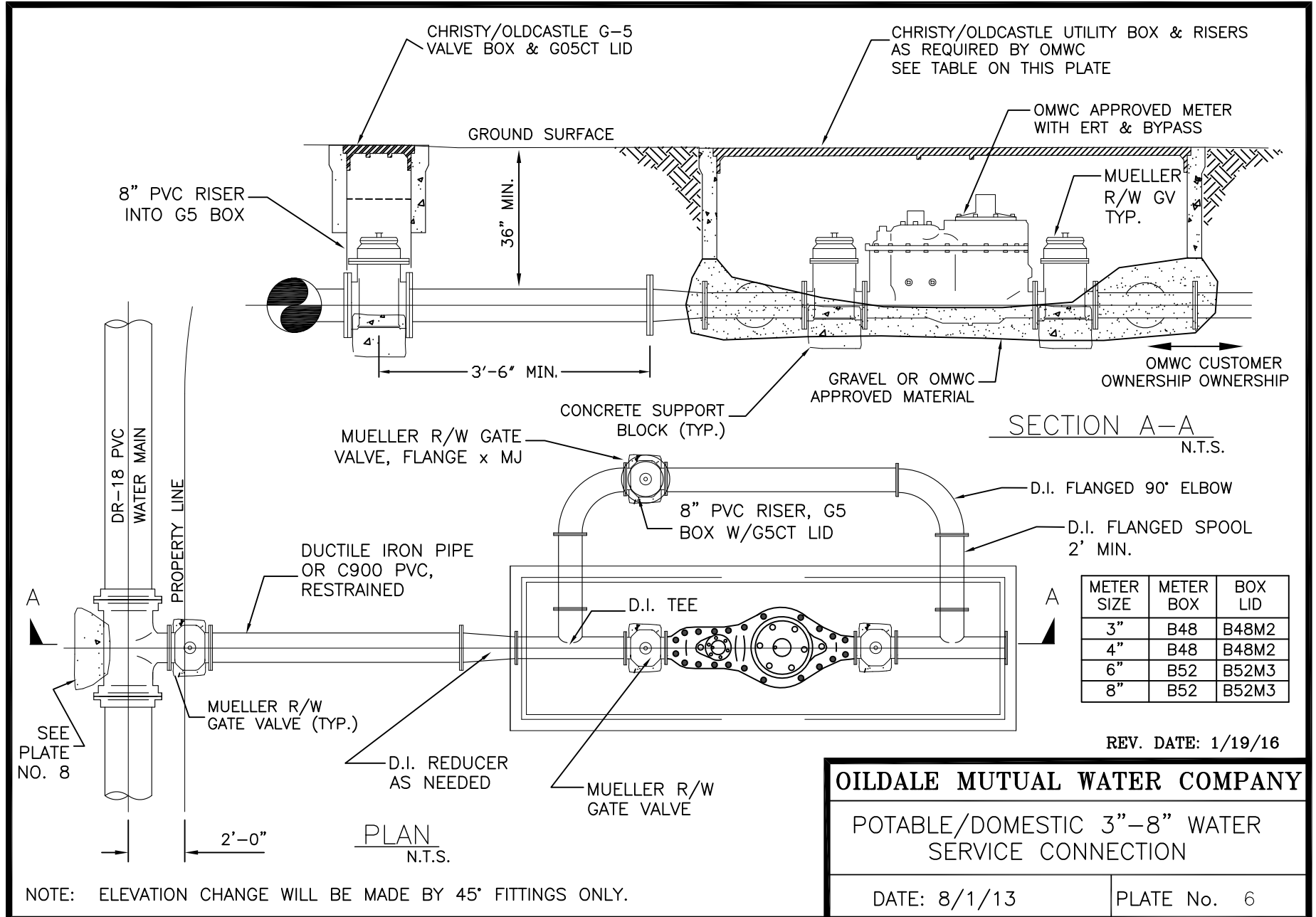
PLATE No. 4B



REV. DATE: 2/13/2020

OILDALE MUTUAL WATER CO.	
DOMESTIC/POTABLE TYPICAL 2" SHORT WATER SERVICE	
DATE: 8/1/13	PLATE No. 5A





CHRISTY/OLDCASTLE G-5 VALVE BOX & G05CT LID

CHRISTY/OLDCASTLE UTILITY BOX & RISERS AS REQUIRED BY OMWC SEE TABLE ON THIS PLATE

8" PVC RISER INTO G5 BOX

GROUND SURFACE

OMWC APPROVED METER WITH ERT & BYPASS

MUELLER R/W GV TYP.

36" MIN.

3'-6" MIN.

GRAVEL OR OMWC APPROVED MATERIAL

OMWC CUSTOMER OWNERSHIP

CONCRETE SUPPORT BLOCK (TYP.)

SECTION A-A
N.T.S.

MUELLER R/W GATE VALVE, FLANGE x MJ

D.I. FLANGED 90° ELBOW

8" PVC RISER, G5 BOX W/G5CT LID

D.I. FLANGED SPOOL 2' MIN.

DR-18 PVC WATER MAIN

PROPERTY LINE

DUCTILE IRON PIPE OR C900 PVC, RESTRAINED

A

MUELLER R/W GATE VALVE (TYP.)

A

METER SIZE	METER BOX	BOX LID
3"	B48	B48M2
4"	B48	B48M2
6"	B52	B52M3
8"	B52	B52M3

REV. DATE: 1/19/16

SEE PLATE NO. 8

D.I. REDUCER AS NEEDED

MUELLER R/W GATE VALVE

2'-0"

PLAN
N.T.S.

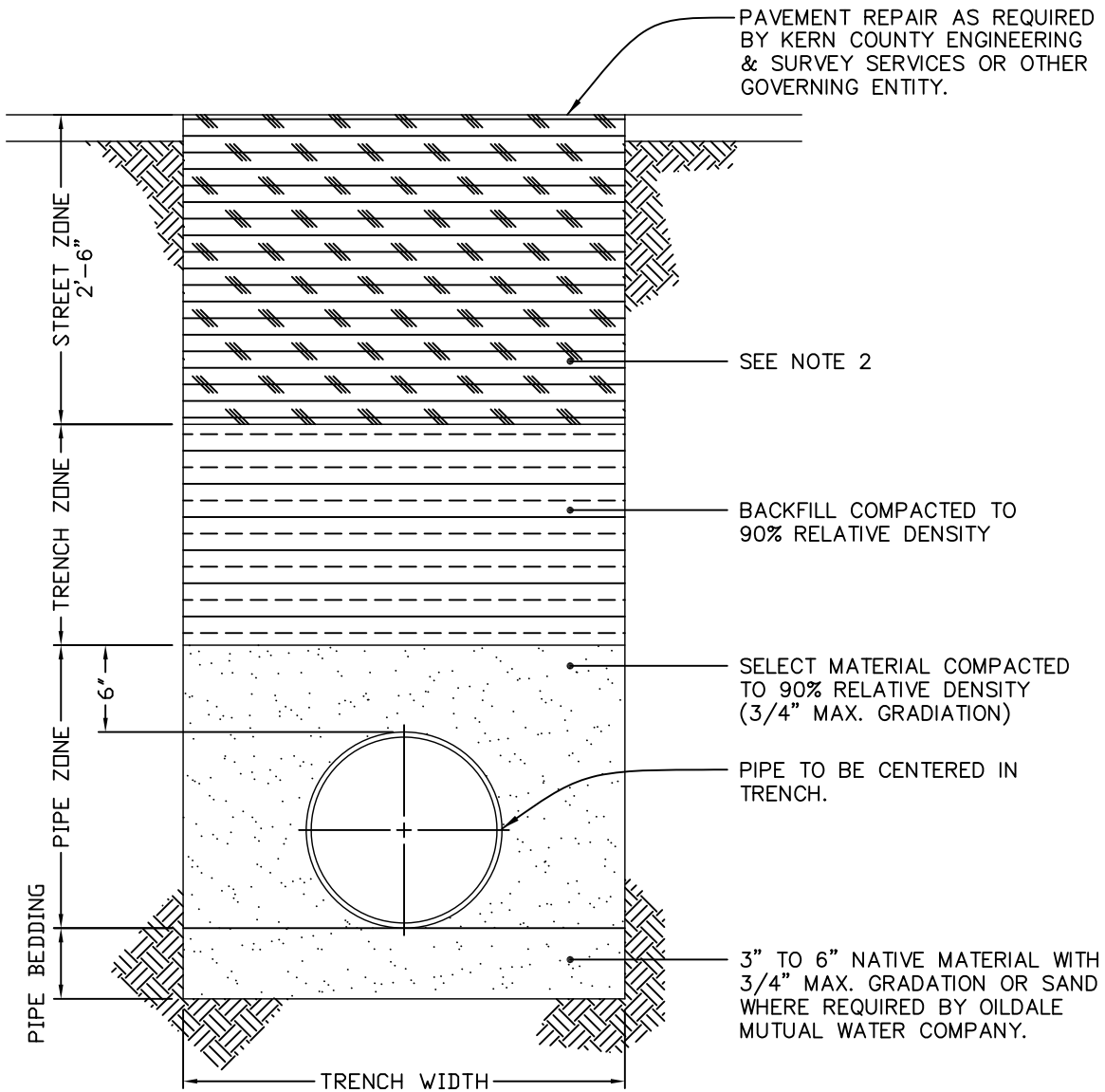
OILDALE MUTUAL WATER COMPANY

POTABLE/DOMESTIC 3"-8" WATER SERVICE CONNECTION

NOTE: ELEVATION CHANGE WILL BE MADE BY 45° FITTINGS ONLY.

DATE: 8/1/13

PLATE No. 6



NOTES:

1. EMBEDEMENT MATERIALS SHALL BE CLASS I, II, OR III IN CONFORMANCE WITH PARAGRAPHS 6.1.1, 6.1.2 AND 6.1.3 OF A.S.T.M. D2321-83a. SEE O.M.W.C. SPECS., MAX. SIZE = 3/4".
2. STREET ZONE SHALL BE COMPACTED TO 95% RELATIVE DENSITY IF WITHIN ROAD BED. STREET ZONE OUTSIDE OF ROAD BED SHALL BE AS REQUIRED BY GOVERNING ENTITY OR KERN COUNTY ENGINEERING & SURVEY SERVICES.
3. MINIMUM COVER OVER ALL WATER DISTRIBUTION MAINS SHALL BE 3' AS MEASURED FROM FINISH GRADE.
4. PERCENT RELATIVE COMPACTION IS THE PERCENT OF THE MAXIMUM DRY DENSITY AS DETERMINED BY A.S.T.M. D1557 (5 LAYER).

TRENCH WIDTH	
PIPE SIZE	WIDTH
4"	18"
6" & 8"	24"
12"	30"
16"	36"

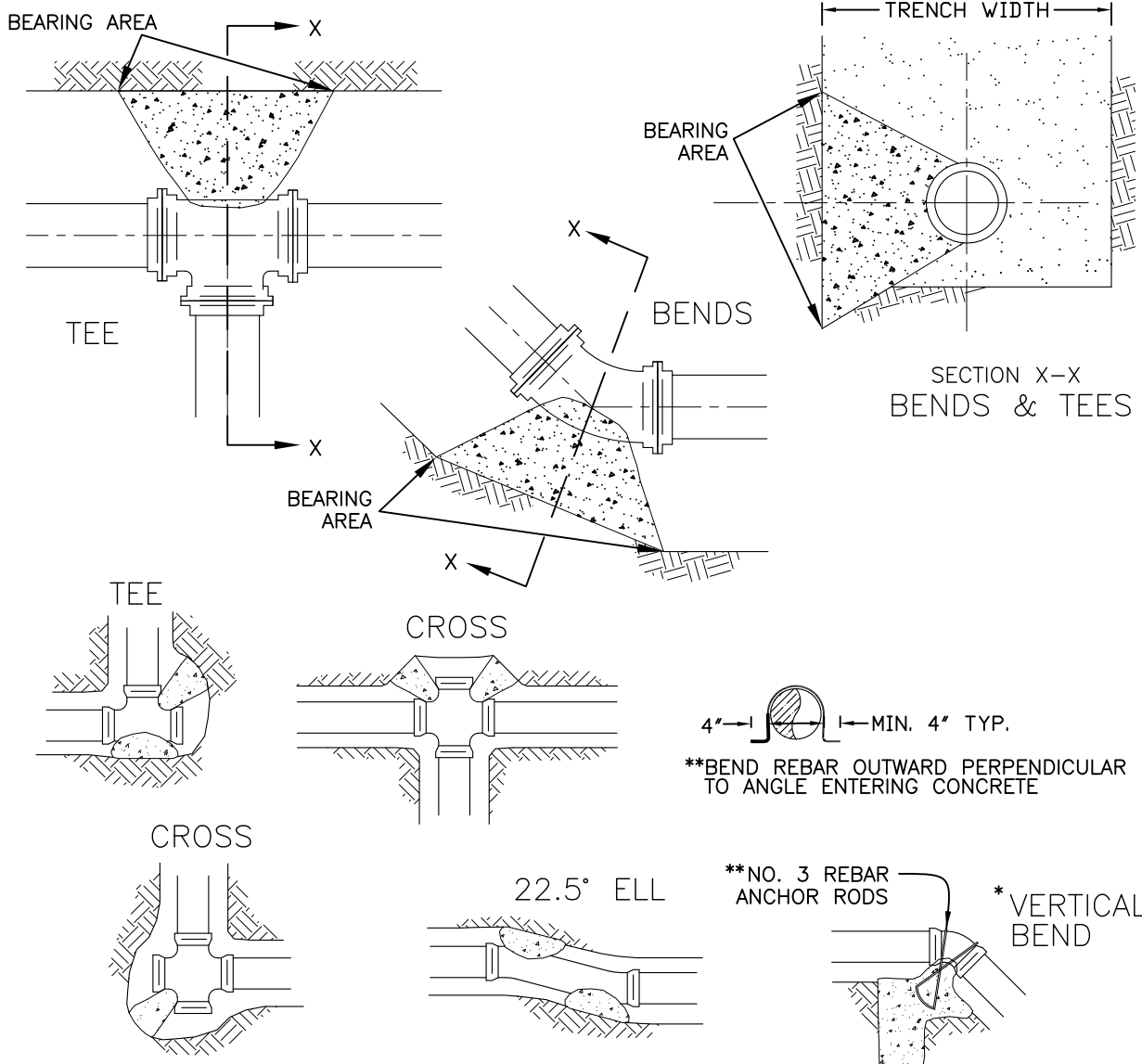
REV. DATE: 3/13/17

OILDALE MUTUAL WATER CO.

POTABLE/DOMESTIC TRENCH
CROSS SECTION

DATE: 8/1/13

PLATE No. 7



NOTES:

1. ALL THRUST BLOCKS TO BE POURED AGAINST UNDISTURBED SOIL, PRIOR TO POURING. OMWC WILL TEST SOIL FOR COMPACTION. CONCRETE SHALL BE PLACED BEHIND BELL OF FITTING AND SHALL NOT COME INTO CONTACT WITH THE PIPE.
2. POLYETHYLENE PLASTIC FILM WRAP SHALL BE PLACED AROUND ALL BURIED DUCTILE IRON VALVES AND FITTINGS. FILM WRAP SHALL BE OF VIRGIN POLYETHYLENE AND MEET THE REQUIREMENTS OF ASTM D-1248 FOR TYPE 1, CLASS A, GRADE E-1 AND ASTM D-1238. FILM WRAP SHALL BE 10 MILS IN THICKNESS.
3. ALL THRUST BLOCKS SHALL BE ALLOWED TO CURE, UNDISTURBED, AND MUST BE APPROVED BY OMWC PRIOR TO BACKFILL.
4. CONCRETE STRENGTH SHALL BE 2000 PSI AT 28 DAYS MINIMUM AND SHALL NOT COME INTO DIRECT CONTACT WITH PIPE AND FITTINGS OR VALVES.
5. BEARING AREAS SHOWN IN TABLE HEREON ARE BASED UPON ALLOWABLE SOIL PRESSURE OF 1,500 PSF.

*REQUIRES CALCULATION

REV. DATE: 2/18/19

BEARING AREA (SQ. FT.)				
PIPE SIZE	TEE OR PLUG	90° ELL OR HYDRANT	45° ELL	22.5° ELL
4&6"	3	4	2	2
8"	5	7	4	2
12"	11	16	8	4
16"	20	30	16	9

OILDALE MUTUAL WATER CO.

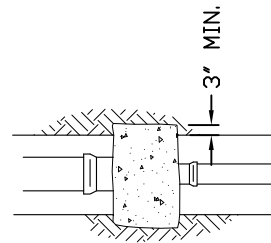
POTABLE/DOMESTIC THRUST BLOCK SCHEDULE

DATE: 8/1/13 PLATE No. 8

THRUST BLOCK SCHEDULE BASED ON 2000 PSI
CONCRETE & 1500 PSF SOIL BEARING

REDUCER

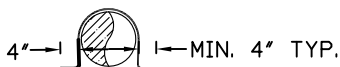
REDUCER SIZE	AREA REQ'D	THRUST BLOCK SIZE
12X10	5.56 s.f.	2.4'X2.4'
12X8	9.32 s.f.	3.1'X3.1'
12X6	12.26 s.f.	3.5'X3.5'
10X8	4.43 s.f.	2.1'X2.1'
10X6	7.37 s.f.	2.7'X2.7'
8X6	3.38 s.f.	1.8'X1.8'



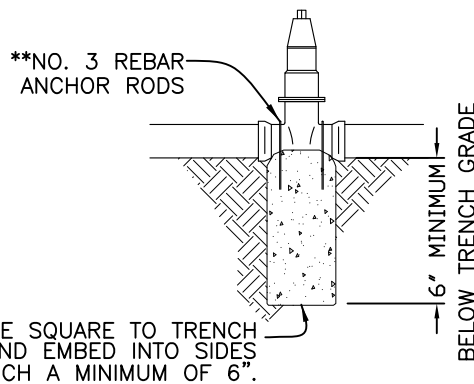
PLAN VIEW

VALVE ANCHORS

VALVE SIZE	AREA REQ'D	THRUST BLOCK SIZE
12	16.59 s.f.	4.1'X4.1'
10	11.51 s.f.	3.4'X3.4'
8	7.38 s.f.	2.7'X2.7'
6	4.15 s.f.	2.1'X2.1'



**BEND REBAR OUTWARD PERPENDICULAR TO ANGLE ENTERING CONCRETE



NOTES:

- ALL THRUST BLOCKS TO BE POURED AGAINST UNDISTURBED SOIL, PRIOR TO POURING. OMWC WILL TEST SOIL FOR COMPACTION. CONCRETE SHALL BE PLACED BEHIND BELL OF FITTING AND SHALL NOT COME INTO CONTACT WITH THE PIPE.
- POLYETHYLENE PLASTIC FILM WRAP SHALL BE PLACED AROUND ALL BURIED DUCTILE IRON VALVES AND FITTINGS. FILM WRAP SHALL BE OF VIRGIN POLYETHYLENE AND MEET THE REQUIREMENTS OF ASTM D-1248 FOR TYPE 1, CLASS A, GRADE E-1 AND ASTM D-1238. FILM WRAP SHALL BE 10 MILS IN THICKNESS.
- ALL THRUST BLOCKS SHALL BE ALLOWED TO CURE, UNDISTURBED, AND MUST BE APPROVED BY OMWC PRIOR TO BACKFILL.
- CONCRETE STRENGTH SHALL BE 2000 PSI AT 28 DAYS MINIMUM AND SHALL NOT COME INTO DIRECT CONTACT WITH PIPE AND FITTINGS OR VALVES.
- BEARING AREAS SHOWN IN TABLE HEREON ARE BASED UPON ALLOWABLE SOIL PRESSURE OF 1,500 PSF.

*REQUIRES CALCULATION

REV. DATE: 3/13/17

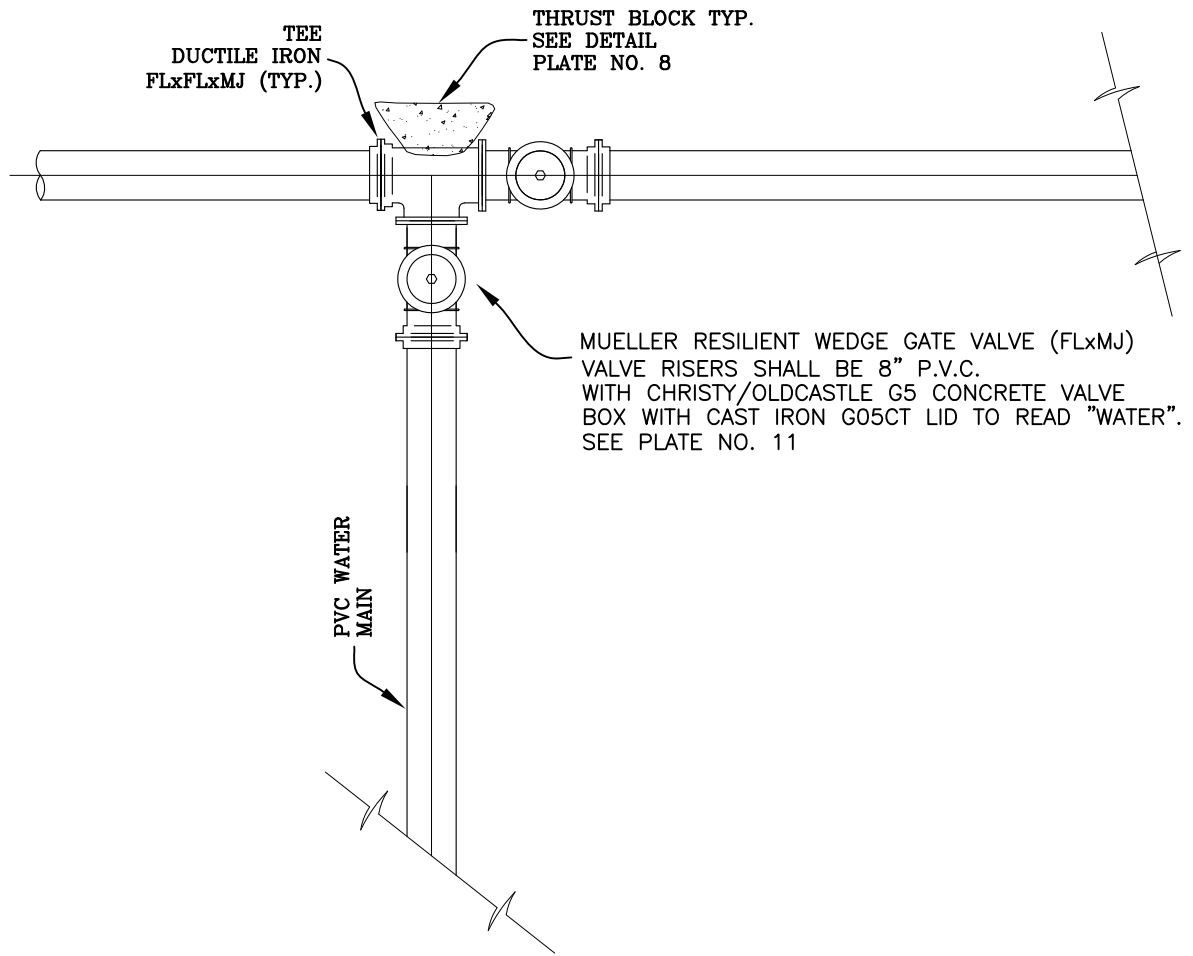
OILDALE MUTUAL WATER CO.

POTABLE/DOMESTIC VALVE & REDUCER
THRUST BLOCK SCHEDULE

DATE: 8/1/13

PLATE No. 9

NOTE: IF GATE VALVES ARE LOCATED IN THE PAVED ROAD RIGHT-OF-WAY AREA, GATE VALVES SHALL BE FLANGED TO THE TEE.



NOTES:

1. ALL THRUST BLOCKS TO BE POURED AGAINST UNDISTURBED SOIL, PRIOR TO POURING. OMWC WILL TEST SOIL FOR COMPACTION.
2. POLYETHYLENE PLASTIC FILM WRAP SHALL BE PLACED AROUND ALL BURIED DUCTILE IRON VALVES AND FITTINGS. FILM WRAP SHALL BE OF VIRGIN POLYETHYLENE AND MEET THE REQUIREMENTS OF ASTM D-1248 FOR TYPE 1, CLASS A, GRADE E-1 AND ASTM D-1238. FILM WRAP SHALL BE 10 MILS IN THICKNESS.
3. ALL THRUST BLOCKS SHALL BE ALLOWED TO CURE, UNDISTURBED, AND MUST BE APPROVED BY OMWC PRIOR TO BACKFILL.
4. CONCRETE STRENGTH SHALL BE 2000 PSI AT 28 DAYS MINIMUM AND SHALL NOT COME INTO DIRECT CONTACT WITH PIPE AND FITTINGS OR VALVES.
5. SEE PLATES NO. 8 AND NO. 9 FOR THRUST BLOCK SIZING TABLES.

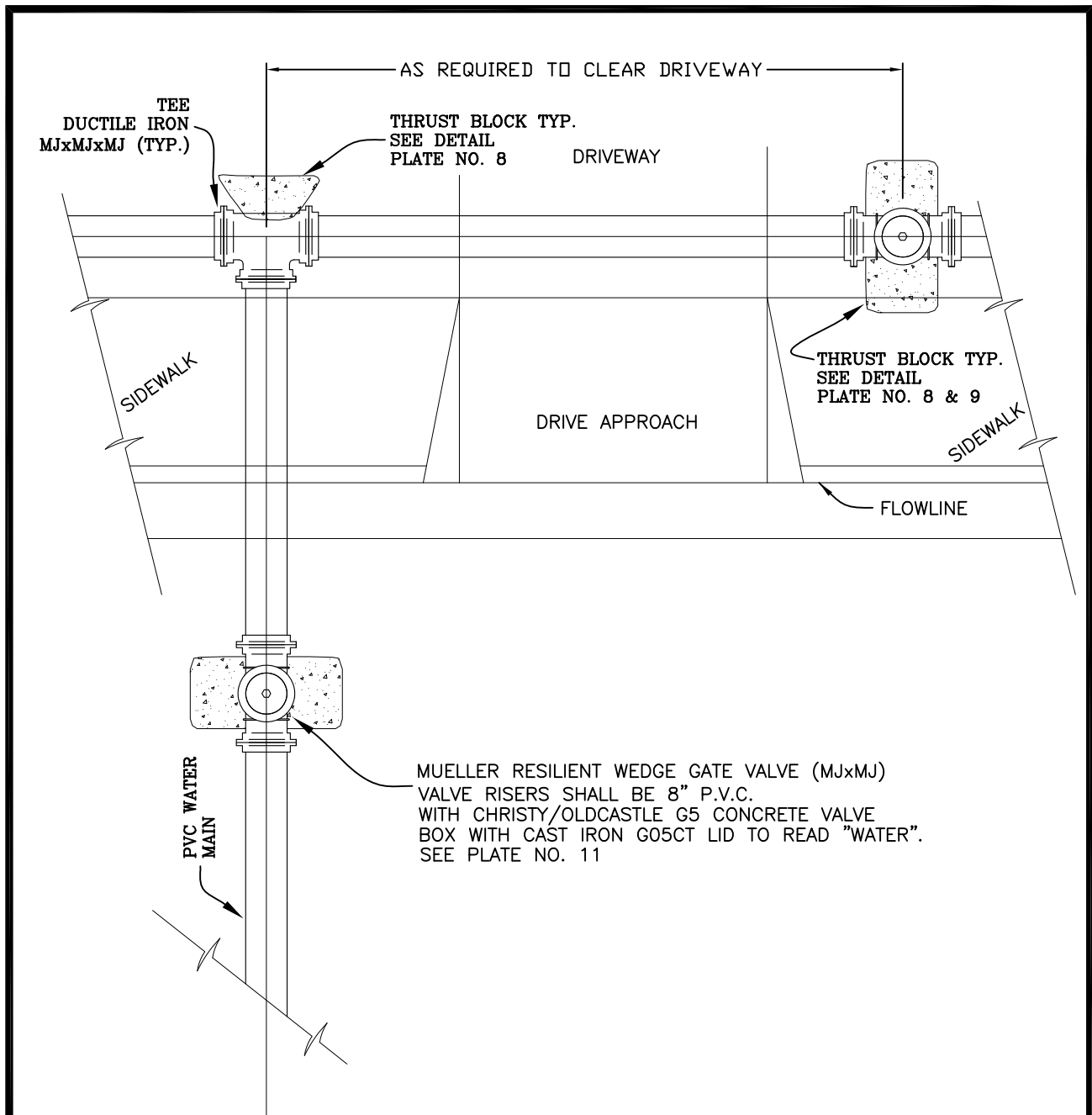
REV. DATE: 3/28/17

OILDALE MUTUAL WATER CO.

POTABLE/DOMESTIC GATE VALVE
INSTALLATION NO CURB RETURN

DATE: 8/1/13

PLATE No. 10A

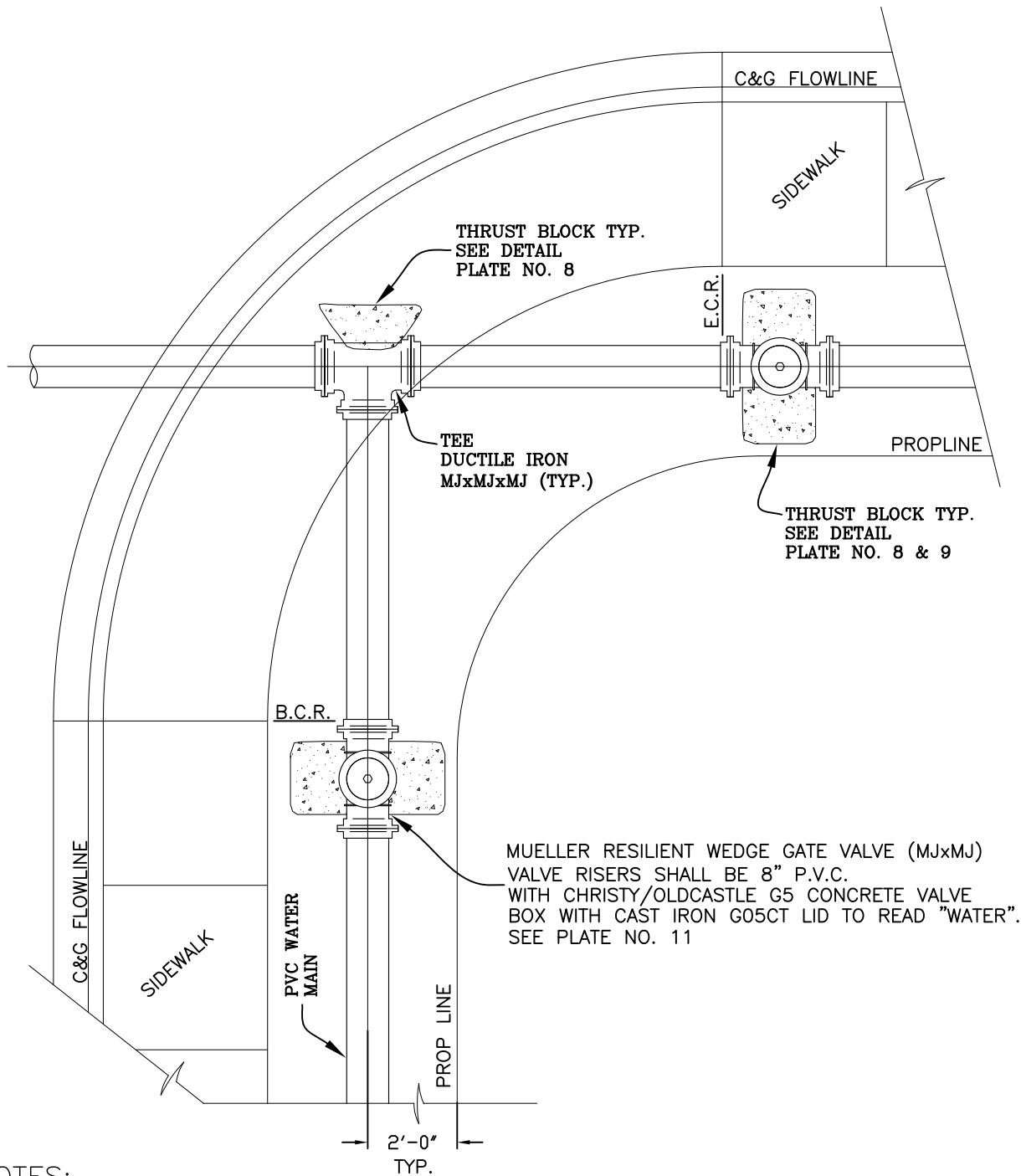


NOTES:

1. ALL THRUST BLOCKS TO BE POURED AGAINST UNDISTURBED SOIL, PRIOR TO POURING. OMWC WILL TEST SOIL FOR COMPACTION.
2. POLYETHYLENE PLASTIC FILM WRAP SHALL BE PLACED AROUND ALL BURIED DUCTILE IRON VALVES AND FITTINGS. FILM WRAP SHALL BE OF VIRGIN POLYETHYLENE AND MEET THE REQUIREMENTS OF ASTM D-1248 FOR TYPE 1, CLASS A, GRADE E-1 AND ASTM D-1238. FILM WRAP SHALL BE 10 MILS IN THICKNESS.
3. ALL THRUST BLOCKS SHALL BE ALLOWED TO CURE, UNDISTURBED, AND MUST BE APPROVED BY OMWC PRIOR TO BACKFILL.
4. CONCRETE STRENGTH SHALL BE 2000 PSI AT 28 DAYS MINIMUM AND SHALL NOT COME INTO DIRECT CONTACT WITH PIPE AND FITTINGS OR VALVES.
5. SEE PLATES NO. 8 AND NO. 9 FOR THRUST BLOCK SIZING TABLES.

REV. DATE: 3/28/17

OILDALE MUTUAL WATER CO.	
POTABLE/DOMESTIC GATE VALVE INSTALLATION DRIVEWAY (NO CURB RETURN)	
DATE: 8/1/13	PLATE No. 10B



NOTES:

1. ALL THRUST BLOCKS TO BE POURED AGAINST UNDISTURBED SOIL, PRIOR TO POURING. OMCW WILL TEST SOIL FOR COMPACTION.
2. POLYETHYLENE PLASTIC FILM WRAP SHALL BE PLACED AROUND ALL BURIED DUCTILE IRON VALVES AND FITTINGS. FILM WRAP SHALL BE OF VIRGIN POLYETHYLENE AND MEET THE REQUIREMENTS OF ASTM D-1248 FOR TYPE 1, CLASS A, GRADE E-1 AND ASTM D-1238. FILM WRAP SHALL BE 10 MILS IN THICKNESS.
3. ALL THRUST BLOCKS SHALL BE ALLOWED TO CURE, UNDISTURBED, AND MUST BE APPROVED BY OMCW PRIOR TO BACKFILL.
4. CONCRETE STRENGTH SHALL BE 2000 PSI AT 28 DAYS MINIMUM AND SHALL NOT COME INTO DIRECT CONTACT WITH PIPE AND FITTINGS OR VALVES.
5. SEE PLATES NO. 8 AND NO. 9 FOR THRUST BLOCK SIZING TABLES.

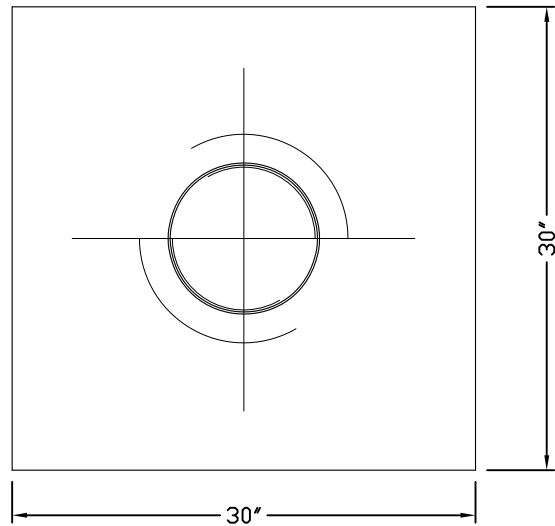
REV. DATE: 3/28/17

OILDALE MUTUAL WATER CO.

POTABLE/DOMESTIC GATE VALVE
INSTALLATION WITH CURB RETURN

DATE: 8/1/13

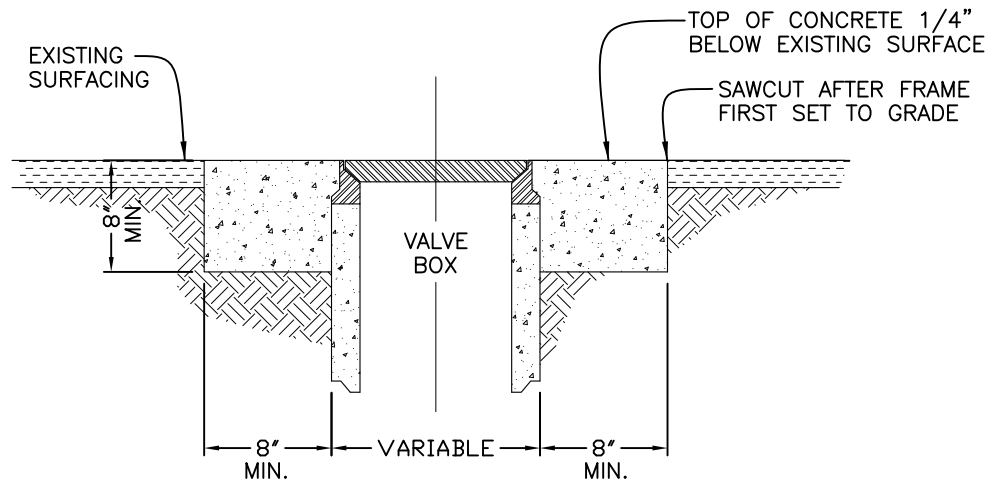
PLATE No. 10C



PLAN
N.T.S.

NOTES

1. DIMENSIONS TO BE SAME FOR ALL SIZES OR TYPES OF OPENINGS.
2. ALL VALVE BOXES SHALL BE INSTALLED WITH A CONCRETE PAD.
3. CONCRETE MAY BE DELETED ON ROAD MIX STREETS UPON APPROVAL OF INSPECTOR.
4. CONCRETE TO BE CLASS "A" (SIX SACK).
5. CONCRETE TO BE BARRICADED FOR THREE DAYS AFTER POURING.
6. CONCRETE CURE TO BE IN ACCORDANCE WITH SECTION 90-7 "CURING CONCRETE" OF THE CALTRANS STANDARD SPECIFICATIONS OR PER COUNTY REQUIREMENTS.
7. VALVE BOX TO BE CHRISTY/OLDCASTLE G05T BOX WITH G05CT LID. LIDS SHALL BE MARKED "WATER"
8. RISER MATERIAL WILL BE SDR 35 8" DIAMETER, EXTENDED 6" INTO G05 BOX.
9. VALVE BOX LIDS SHALL BE SCREWED DOWN.



ELEVATION
N.T.S.

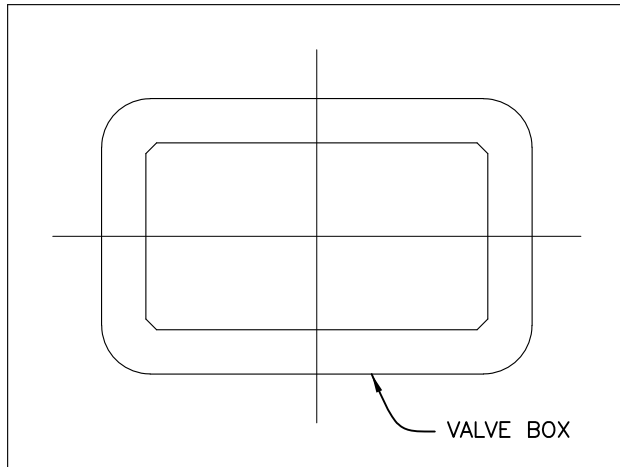
REV. DATE: 2/18/19

OILDALE MUTUAL WATER CO.

POTABLE/DOMESTIC
VALVE BOX ASSEMBLY

DATE: 8/1/13

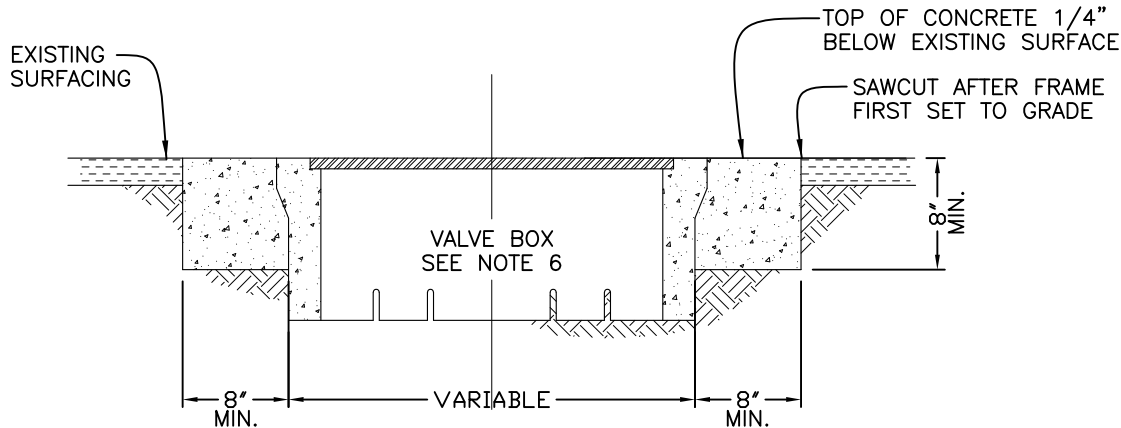
PLATE No. 11



PLAN
N.T.S.

NOTES

1. DIMENSIONS TO BE SAME FOR ALL SIZES OR TYPES OF OPENINGS.
2. CONCRETE MAY BE DELETED ON ROAD MIX STREETS UPON APPROVAL OF INSPECTOR.
3. CONCRETE TO BE CLASS "A" (SIX SACK).
4. CONCRETE TO BE BARRICADED FOR THREE DAYS AFTER POURING.
5. CONCRETE CURE TO BE IN ACCORDANCE WITH SECTION 90-7 "CURING CONCRETE" OF THE STANDARD SPECIFICATIONS PER COUNTY/CITY MOST CURRENT EDITION.
6. USE OLDCASTLE/CHRISTY BOXES AND LIDS AS FOLLOWS:
 3/4" SERVICE B12 BOX W/B12-61G LID
 1" SERVICE B16 BOX W/B16-61G LID
 1-1/2" - 2" SERVICE B36 BOX W/B36-61G LID
 3" - 4" SERVICE B48 BOX W/B48-62G LID
7. SEND RFI TO OMWC FOR LARGER OR MULTIPLE APPLICATIONS.
8. VALVE BOX LIDS SHALL BE MARKED "WATER".



ELEVATION
N.T.S.

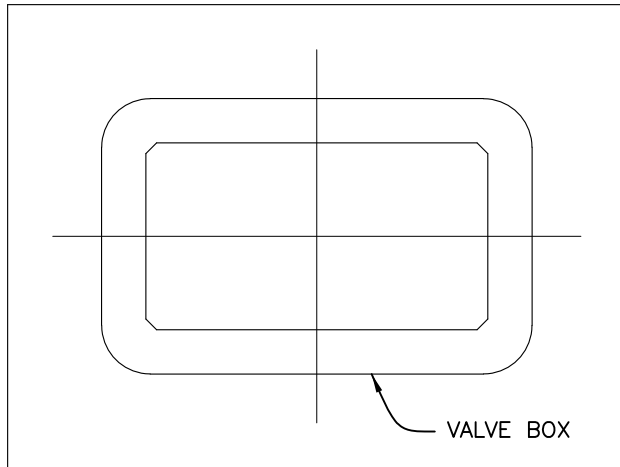
REV. DATE: 2/18/19

OILDALE MUTUAL WATER CO.

POTABLE/DOMESTIC
METER BOX IN PAVED AREA

DATE: 8/1/13

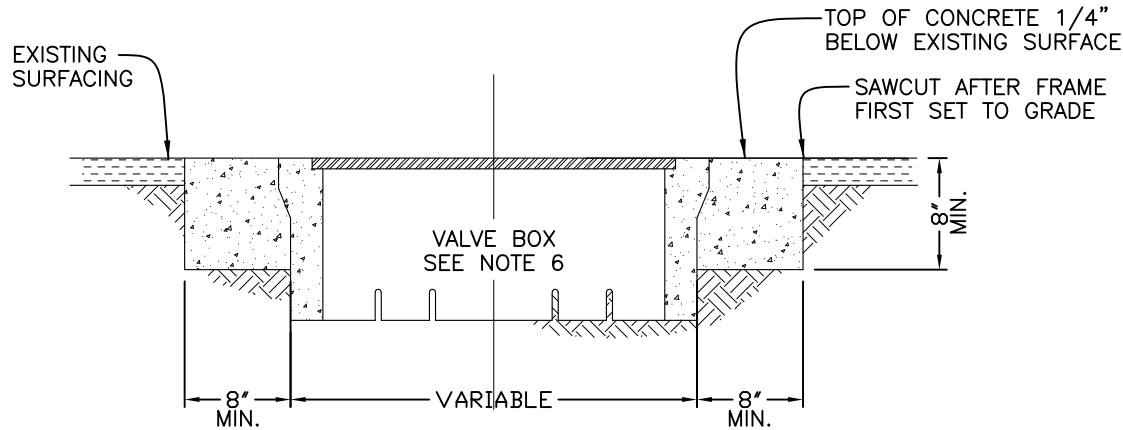
PLATE No. 12A



PLAN
N.T.S.

NOTES

1. DIMENSIONS TO BE SAME FOR ALL SIZES OR TYPES OF OPENINGS.
2. CONCRETE MAY BE DELETED ON ROAD MIX STREETS UPON APPROVAL OF INSPECTOR.
3. CONCRETE TO BE CLASS "A" (SIX SACK).
4. CONCRETE TO BE BARRICADED FOR THREE DAYS AFTER POURING.
5. CONCRETE CURE TO BE IN ACCORDANCE WITH SECTION 90-7 "CURING CONCRETE" OF THE STANDARD SPECIFICATIONS PER COUNTY/CITY MOST CURRENT EDITION.
6. USE OLDCASTLE/CHRISTY BOXES AND LIDS AS FOLLOWS:
 3/4" SERVICE B1017 BOX W/B1017-51GH LID
 1" SERVICE B1324 BOX W/B1324-51GH LID
 1-1/2" - 2" SERVICE B1730 BOX W/B1730-51GH LID
 3" - 4" SERVICE B3048 BOX W/B3048-53JH LID
7. SEND RFI TO OMWC FOR LARGER OR MULTIPLE APPLICATIONS.
8. VALVE BOX LIDS SHALL BE MARKED "WATER".



ELEVATION
N.T.S.

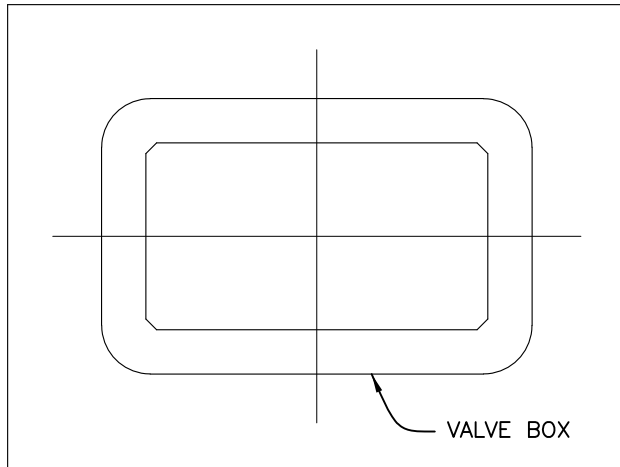
REV. DATE: 2/18/19

OILDALE MUTUAL WATER CO.

POTABLE/DOMESTIC METER
BOX IN TRAFFIC AREA

DATE: 8/1/13

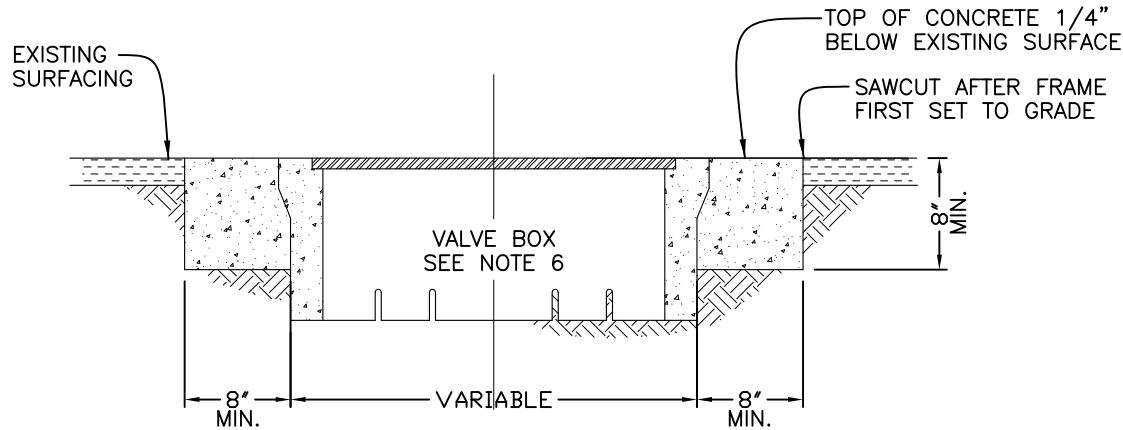
PLATE No. 12B



PLAN
N.T.S.

NOTES

1. DIMENSIONS TO BE SAME FOR ALL SIZES OR TYPES OF OPENINGS.
2. CONCRETE MAY BE DELETED ON ROAD MIX STREETS UPON APPROVAL OF INSPECTOR.
3. CONCRETE TO BE CLASS "A" (SIX SACK).
4. CONCRETE TO BE BARRICADED FOR THREE DAYS AFTER POURING.
5. CONCRETE CURE TO BE IN ACCORDANCE WITH SECTION 90-7 "CURING CONCRETE" OF THE STANDARD SPECIFICATIONS PER COUNTY/CITY MOST CURRENT EDITION.
6. USE OLDCASTLE/CHRISTY BOXES AND LIDS AS FOLLOWS:
 3/4" SERVICE B12 BOX W/B12D LID
 1" SERVICE B16 BOX W/B16D LID
 1-1/2" - 2" SERVICE B36 BOX W/B36E LID
 3" - 4" SERVICE B48 BOX W/B48 M2 LID
7. SEND RFI TO OMWC FOR LARGER OR MULTIPLE APPLICATIONS.
8. VALVE BOX LIDS SHALL BE MARKED "WATER".



ELEVATION
N.T.S.

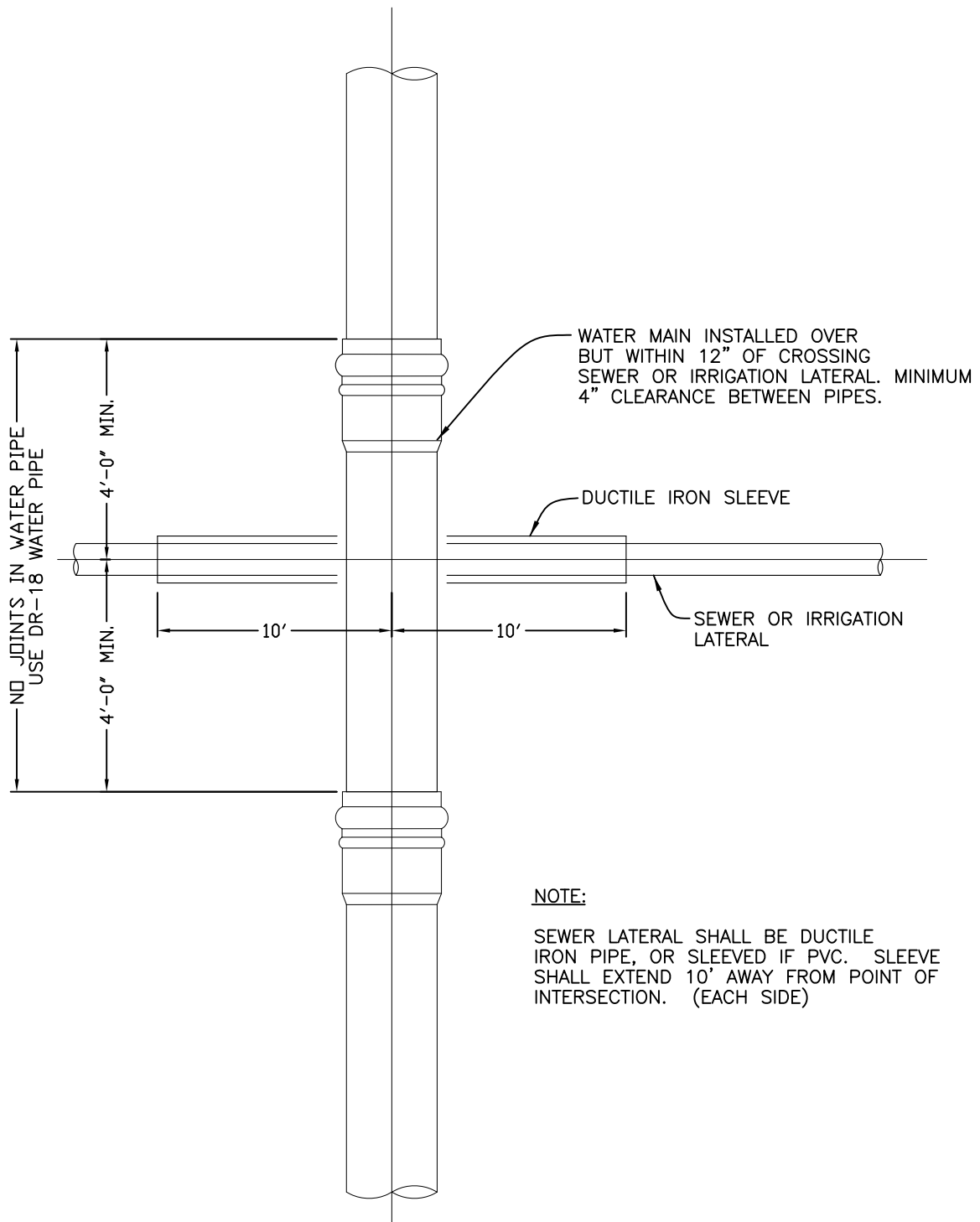
REV. DATE: 2/18/19

OILDALE MUTUAL WATER CO.

POTABLE/DOMESTIC METER
BOX IN LANDSCAPE AREA

DATE: 8/1/13

PLATE No. 12C

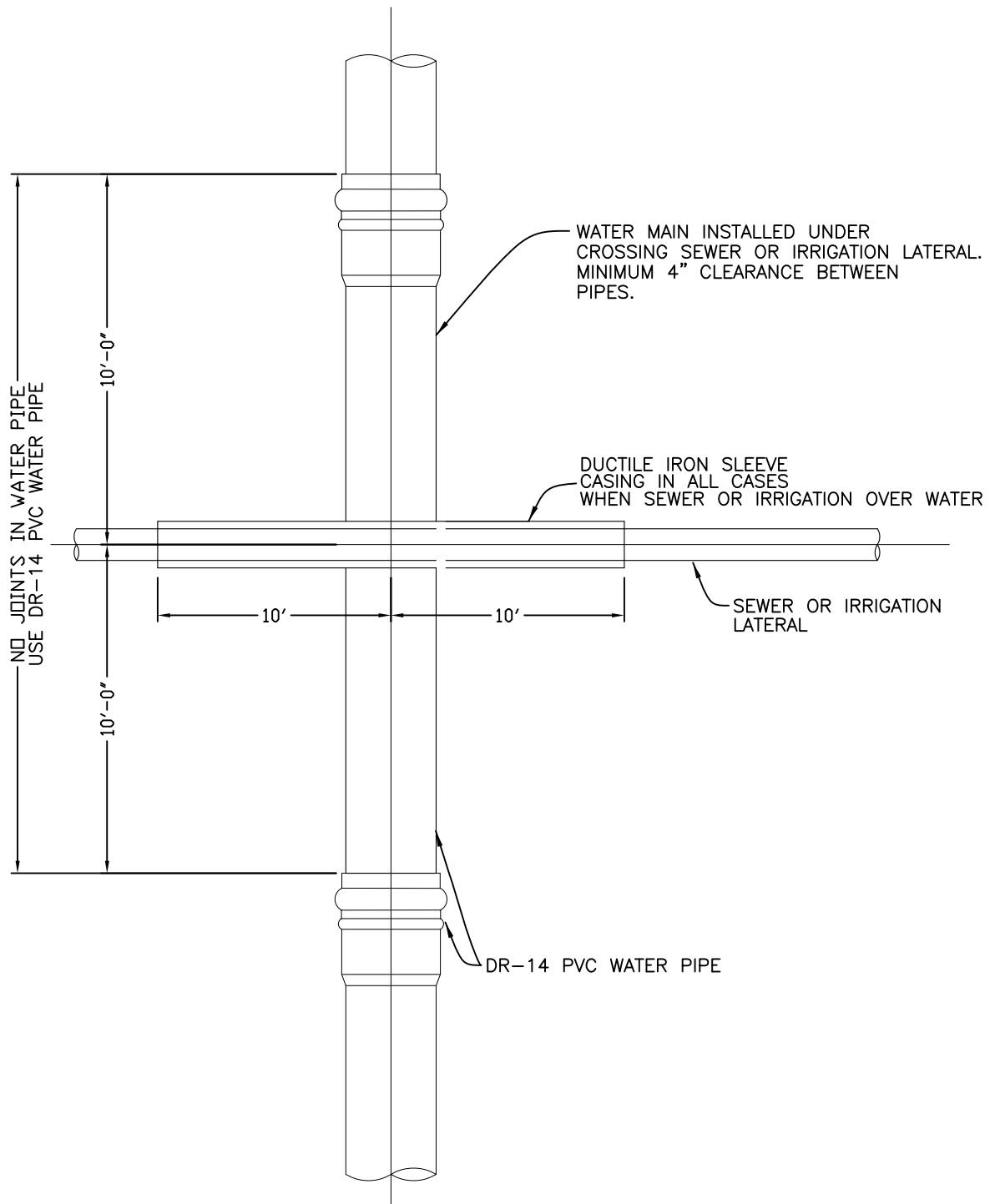


NOTE:

SEWER LATERAL SHALL BE DUCTILE IRON PIPE, OR SLEEVED IF PVC. SLEEVE SHALL EXTEND 10' AWAY FROM POINT OF INTERSECTION. (EACH SIDE)

NOTE: IT IS PREFERABLE TO PLACE THE SEWER & IRRIGATION LATERALS BELOW WATER PIPES AND SEPARATE THEM BY AT LEAST 12". THIS DETAIL APPLIES WHEN SEWER OR IRRIGATION LATERAL IS CLOSER THAN 12" TO WATER PIPE.

OILDALE MUTUAL WATER CO.	
POTABLE/DOMESTIC WATER MAIN CROSSING 12" OR LESS ABOVE SEWER LATERAL	
DATE: 8/1/13	PLATE No. 13A



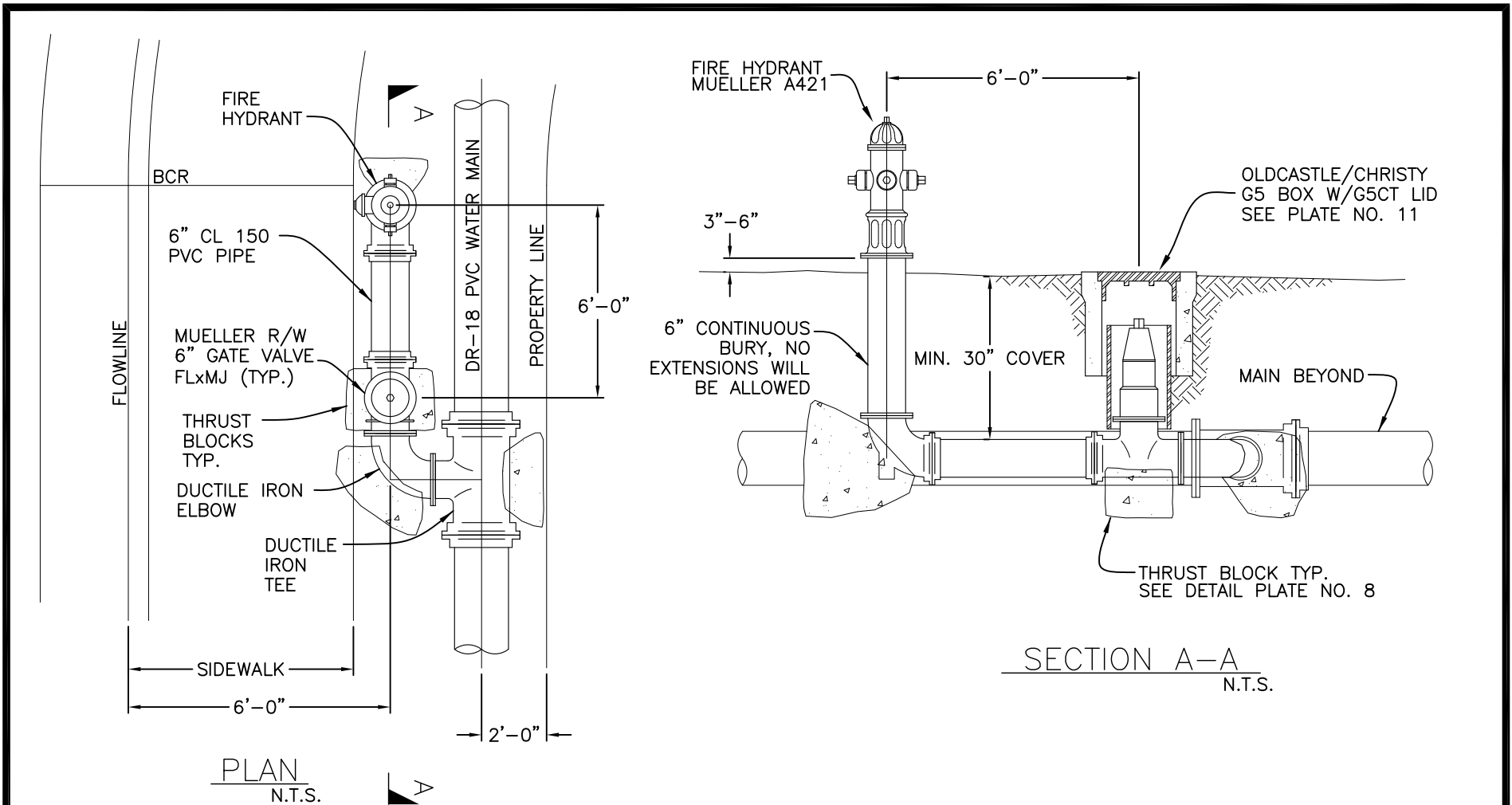
NOTE: THIS CONDITION IS NOT PREFERRED.
ONLY PLACE SEWER OR IRRIGATION LATERAL ABOVE
WATER IF THERE IS NO OTHER ALTERNATIVE.

OILDALE MUTUAL WATER CO.

POTABLE/DOMESTIC WATER MAIN
CROSSING BELOW SEWER LATERAL

DATE: 8/1/13

PLATE No. 13B

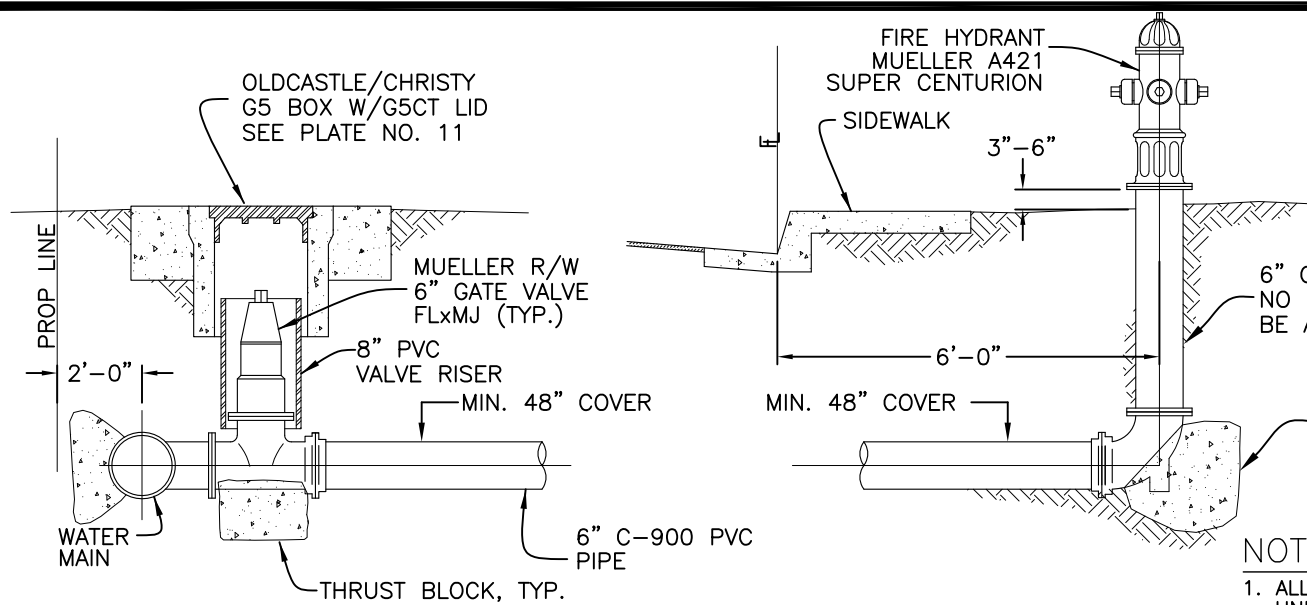


NOTES:

1. ALL THRUST BLOCKS TO BE POURED AGAINST UNDISTURBED SOIL, PRIOR TO POURING. OMWC WILL TEST SOIL FOR COMPACTION.
2. POLYETHYLENE PLASTIC FILM WRAP SHALL BE PLACED AROUND ALL BURIED DUCTILE IRON VALVES AND FITTINGS. FILM WRAP SHALL BE OF VIRGIN POLYETHYLENE AND MEET THE REQUIREMENTS OF ASTM D-1248 FOR TYPE 1, CLASS A, GRADE E-1 AND ASTM D-1238. FILM WRAP SHALL BE 10 MILS IN THICKNESS.
3. ALL THRUST BLOCKS SHALL BE ALLOWED TO CURE, UNDISTURBED, AND MUST BE APPROVED BY OMWC PRIOR TO BACKFILL.
4. CONCRETE STRENGTH SHALL BE 2000 PSI AT 28 DAYS MINIMUM AND SHALL NOT COME INTO DIRECT CONTACT WITH PIPE AND FITTINGS OR VALVES.
5. SEE PLATES NO. 8 AND NO. 9 FOR THRUST BLOCK SIZING TABLES.

REV. DATE: 5/8/19

OILDALE MUTUAL WATER CO.	
POTABLE/DOMESTIC FIRE HYDRANT CURBSIDE WALK	
DATE: 8/1/13	PLATE No. 14A

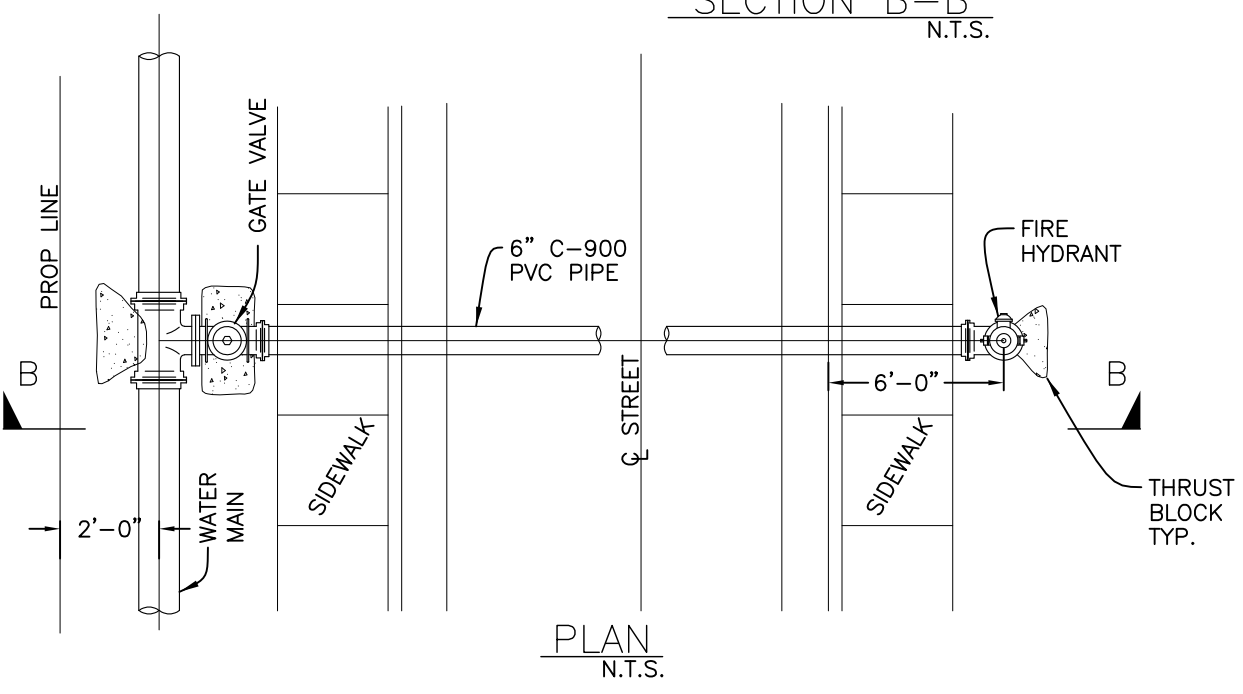


NOTES:

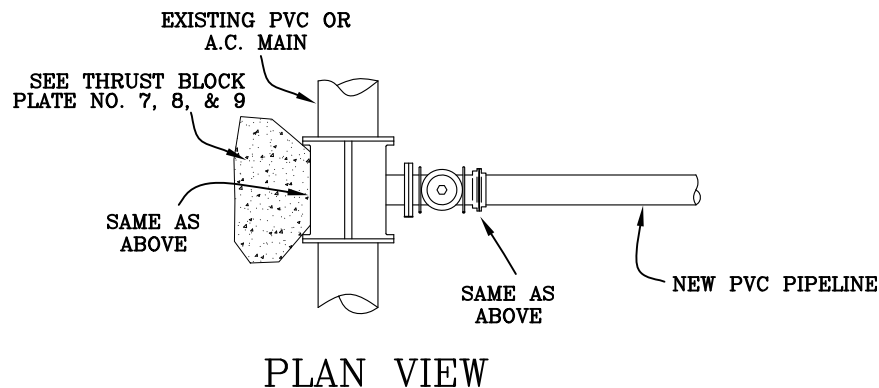
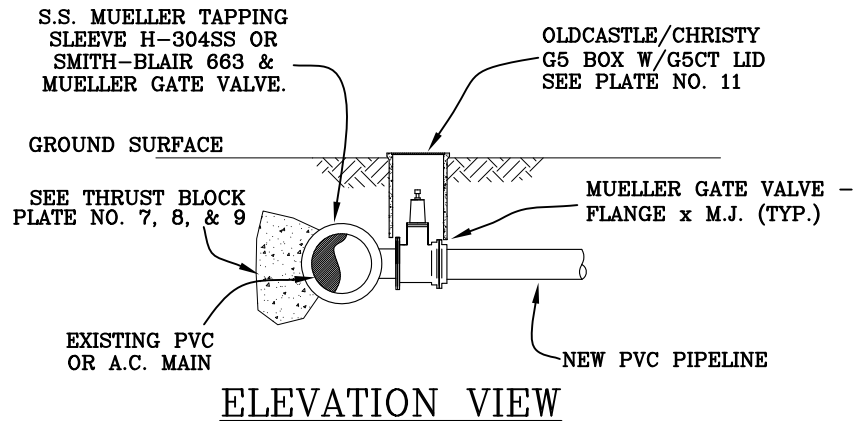
1. ALL THRUST BLOCKS TO BE POURED AGAINST UNDISTURBED SOIL, PRIOR TO POURING. OMWC WILL TEST SOIL FOR COMPACTION.
2. POLYETHYLENE PLASTIC FILM WRAP SHALL BE PLACED AROUND ALL BURIED DUCTILE IRON VALVES AND FITTINGS. FILM WRAP SHALL BE OF VIRGIN POLYETHYLENE AND MEET THE REQUIREMENTS OF ASTM D-1248 FOR TYPE 1, CLASS A, GRADE E-1 AND ASTM D-1238. FILM WRAP SHALL BE 10 MILS IN THICKNESS.
3. ALL THRUST BLOCKS SHALL BE ALLOWED TO CURE, UNDISTURBED, AND MUST BE APPROVED BY OMWC PRIOR TO BACKFILL.
4. CONCRETE STRENGTH SHALL BE 2000 PSI AT 28 DAYS MINIMUM AND SHALL NOT COME INTO DIRECT CONTACT WITH PIPE AND FITTINGS OR VALVES.
5. SEE PLATES NO. 8 AND NO. 9 FOR THRUST BLOCK SIZING TABLES.

REV. DATE: 5/8/19

OILDALE MUTUAL WATER CO.	
POTABLE/DOMESTIC FIRE HYDRANT STREET CROSSING	
DATE: 8/1/13	PLATE No. 14B



PLAN
N.T.S.



ALLOWABLE "HOT TAP" CONNECTION COMBINATIONS

MAIN BEING TAPPED	SIZE OF OUTLET PIPE
24"	16" OR SMALLER
18"	12" OR SMALLER
16"	10" OR SMALLER
14"	8" OR SMALLER
12"	8" OR SMALLER
10"	6" OR SMALLER
8"	4" OR SMALLER

NOTES:

- 1) WHEN TAPPING SLEEVES ARE ORDERED FROM THE MANUFACTURER, THE OUTSIDE DIAMETER OF THE PIPE BEING TAPPED, THE SIZE OF THE OUTLET DESIRED, AND THE WORKING PRESSURE SHALL BE SPECIFIED TO INSURE THAT THE CORRECT SLEEVES ARE FURNISHED. LEAD-JOINT SLEEVES SHALL NOT BE USED AND THE TAPPING SLEEVE SHALL PROVIDE FULL SUPPORT AROUND THE CIRCUMFERENCE OF THE PIPE.
- 2) THE TAPPING SLEEVES SHALL BE ASSEMBLED ON THE PIPE IN ACCORDANCE WITH THE MANUFACTURER'S DIRECTIONS, INSURING THAT NO PIPE DISTORTION OCCURS. THE TAPPING VALVE IS THEN CONNECTED TO THE SLEEVE.
- 3) TAPPING SLEEVES SHALL BE SUPPORTED INDEPENDENTLY FROM THE PIPE DURING THE TAPPING. SUPPORT USED SHALL BE LEFT IN PLACE AFTER TAPPING. THRUST BLOCKS SHALL BE USED AS WITH ANY OTHER FITTING OR APPURTENANCE.
- 4) ALL THRUST BLOCKS TO BE POURED AGAINST UNDISTURBED SOIL, PRIOR TO POURING. OMWC WILL TEST SOIL FOR COMPACTION.
- 5) POLYETHYLENE PLASTIC FILM WRAP SHALL BE PLACED AROUND ALL BURIED DUCTILE IRON VALVES AND FITTINGS. FILM WRAP SHALL BE OF VIRGIN POLYETHYLENE AND MEET THE REQUIREMENTS OF ASTM D-1248 FOR TYPE I, CLASS A, GRADE E-1, AND ASTM D-1238. FILM WRAP SHALL BE 10 MILS IN THICKNESS.
- 6) ALL THRUST BLOCKS SHALL BE ALLOWED TO SET UP, UNDISTURBED, AND SHALL BE APPROVED BY OMWC PRIOR TO BACKFILL.
- 7) CONCRETE STRENGTH SHALL BE 2,000 PSI AT 28 DAYS MINIMUM AND SHALL NOT COME INTO DIRECT CONTACT WITH PIPE AND FITTINGS OR GATE VALVES.
- 8) SEE PLATES NO. 8 AND NO. 9 FOR THRUST BLOCK SIZING TABLES.

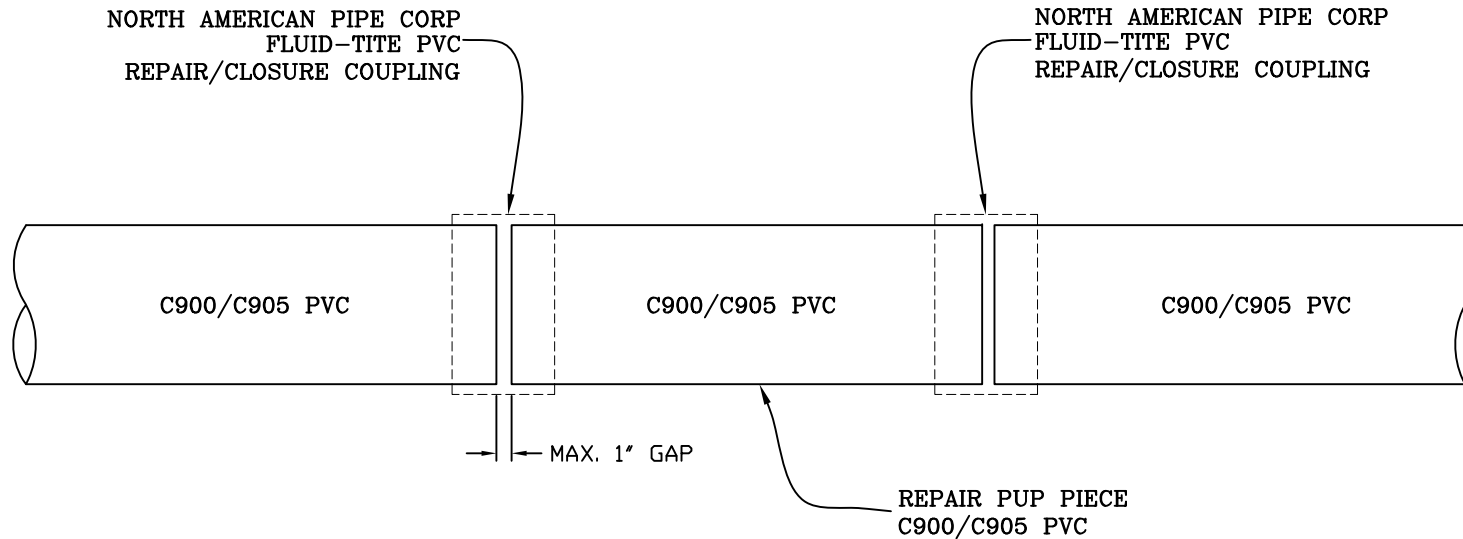
REV. DATE: 6/15/2020

OILDALE MUTUAL WATER CO.

POTABLE/DOMESTIC
HOT TAPPING WATER MAIN

DATE: 8/1/13

PLATE No. 17

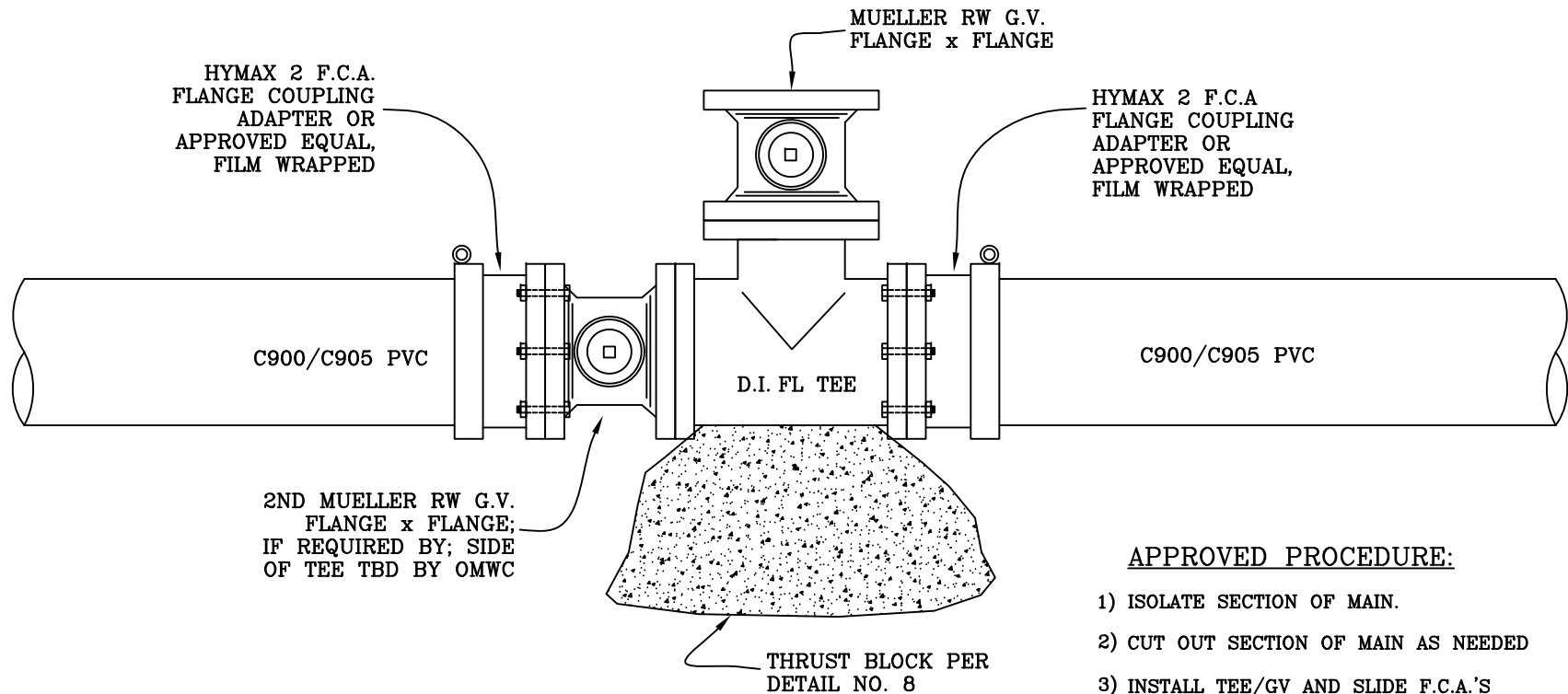


APPROVED PROCEDURE:

- 1) ISOLATE SECTION OF MAIN.
- 2) CUT OUT SECTION OF MAIN.
- 3) BEVEL EXISTING PVC MAIN.
- 4) INSTALL REPAIR/CLOSURE COUPLING ON EXISTING PVC MAIN.
- 5) INSTALL SECTIONS OF C900 OR C905 PVC INTO RUN ENDS OF TEE, WITH BEVELED ENDS OUT.
- 6) INSTALL TEE/GV AND SLIDE THE REPAIR/CLOSURE COUPLINGS TOWARDS TEE.
- 7) SEE OMWC FOR DISINFECTION PROCEDURES.

REV. DATE: 8/4/16

OILDALE MUTUAL WATER CO.	
POTABLE/DOMESTIC C900/C905 PVC PIPE REPAIR	
DATE: 8/1/13	PLATE No. 18



APPROVED PROCEDURE:

- 1) ISOLATE SECTION OF MAIN.
- 2) CUT OUT SECTION OF MAIN AS NEEDED
- 3) INSTALL TEE/GV AND SLIDE F.C.A.'S TOWARDS TEE/GV.
- 4) SEE OMWC FOR DISINFECTION PROCEDURES.

NOTES:

1. ALL THRUST BLOCKS TO BE POURED AGAINST UNDISTURBED SOIL, PRIOR TO POURING. OMWC WILL TEST SOIL FOR COMPACTION.
2. POLYETHYLENE PLASTIC FILM WRAP SHALL BE PLACED AROUND ALL BURIED DUCTILE IRON VALVES AND FITTINGS. FILM WRAP SHALL BE OF VIRGIN POLYETHYLENE AND MEET THE REQUIREMENTS OF ASTM D-1248 FOR TYPE 1, CLASS A, GRADE E-1 AND ASTM D-1238. FILM WRAP SHALL BE 10 MILS IN THICKNESS.
3. ALL THRUST BLOCKS SHALL BE ALLOWED TO CURE, UNDISTURBED, AND MUST BE APPROVED BY OMWC PRIOR TO BACKFILL.
4. CONCRETE STRENGTH SHALL BE 2000 PSI AT 28 DAYS MINIMUM AND SHALL NOT COME INTO DIRECT CONTACT WITH PIPE AND FITTINGS OR VALVES.
5. SEE PLATES NO. 8 AND NO. 9 FOR THRUST BLOCK SIZING TABLES.

REV. DATE: 1/5/22

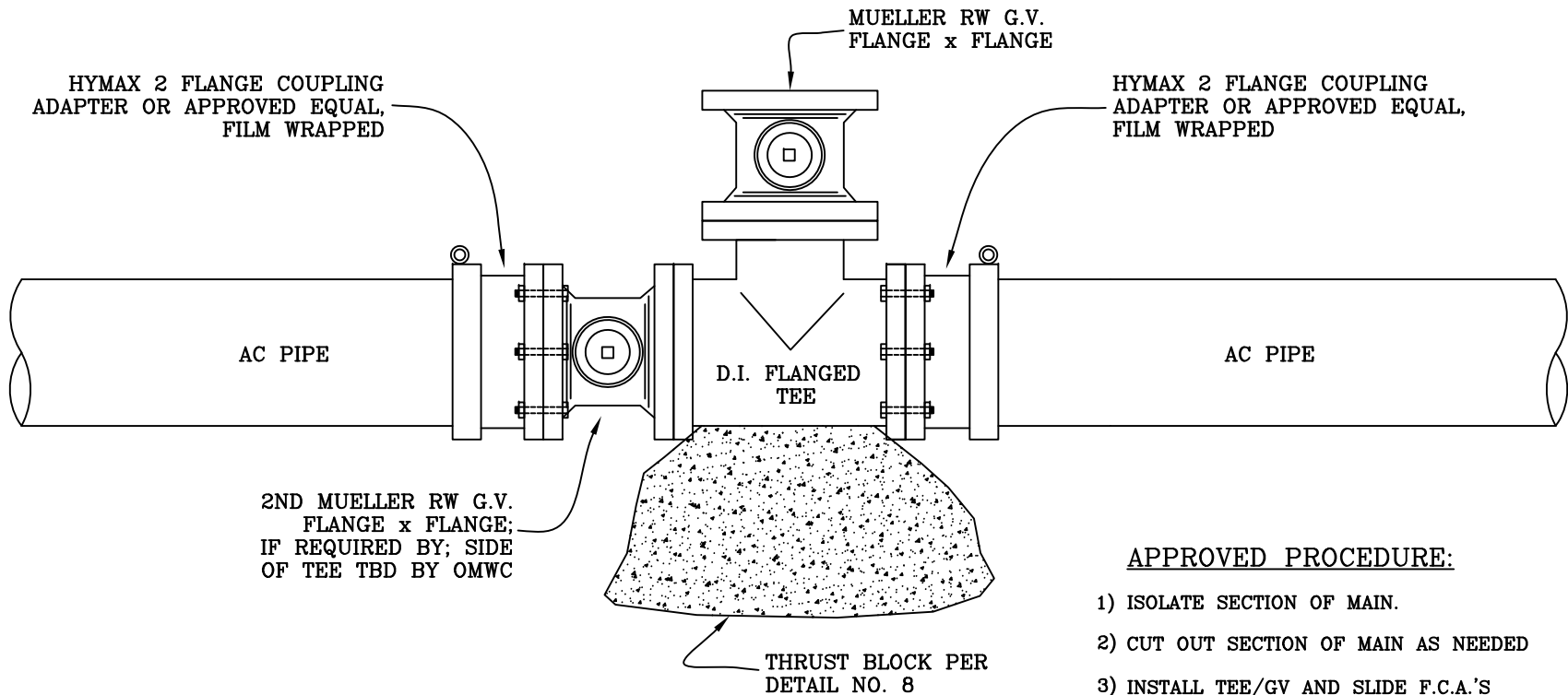
OILDALE MUTUAL WATER CO.

POTABLE/DOMESTIC
TIE-IN DETAIL

C900/C905 PVC PIPE

DATE: 8/1/13

PLATE No. 19



APPROVED PROCEDURE:

- 1) ISOLATE SECTION OF MAIN.
- 2) CUT OUT SECTION OF MAIN AS NEEDED
- 3) INSTALL TEE/GV AND SLIDE F.C.A.'S TOWARDS TEE/GV.
- 4) SEE OMWC FOR DISINFECTION PROCEDURES.

NOTES:

1. ALL THRUST BLOCKS TO BE POURED AGAINST UNDISTURBED SOIL, PRIOR TO POURING. OMWC WILL TEST SOIL FOR COMPACTION.
2. POLYETHYLENE PLASTIC FILM WRAP SHALL BE PLACED AROUND ALL BURIED DUCTILE IRON VALVES AND FITTINGS. FILM WRAP SHALL BE OF VIRGIN POLYETHYLENE AND MEET THE REQUIREMENTS OF ASTM D-1248 FOR TYPE 1, CLASS A, GRADE E-1 AND ASTM D-1238. FILM WRAP SHALL BE 10 MILS IN THICKNESS.
3. ALL THRUST BLOCKS SHALL BE ALLOWED TO CURE, UNDISTURBED, AND MUST BE APPROVED BY OMWC PRIOR TO BACKFILL.
4. CONCRETE STRENGTH SHALL BE 2000 PSI AT 28 DAYS MINIMUM AND SHALL NOT COME INTO DIRECT CONTACT WITH PIPE AND FITTINGS OR VALVES.
5. SEE PLATES NO. 8 AND NO. 9 FOR THRUST BLOCK SIZING TABLES.

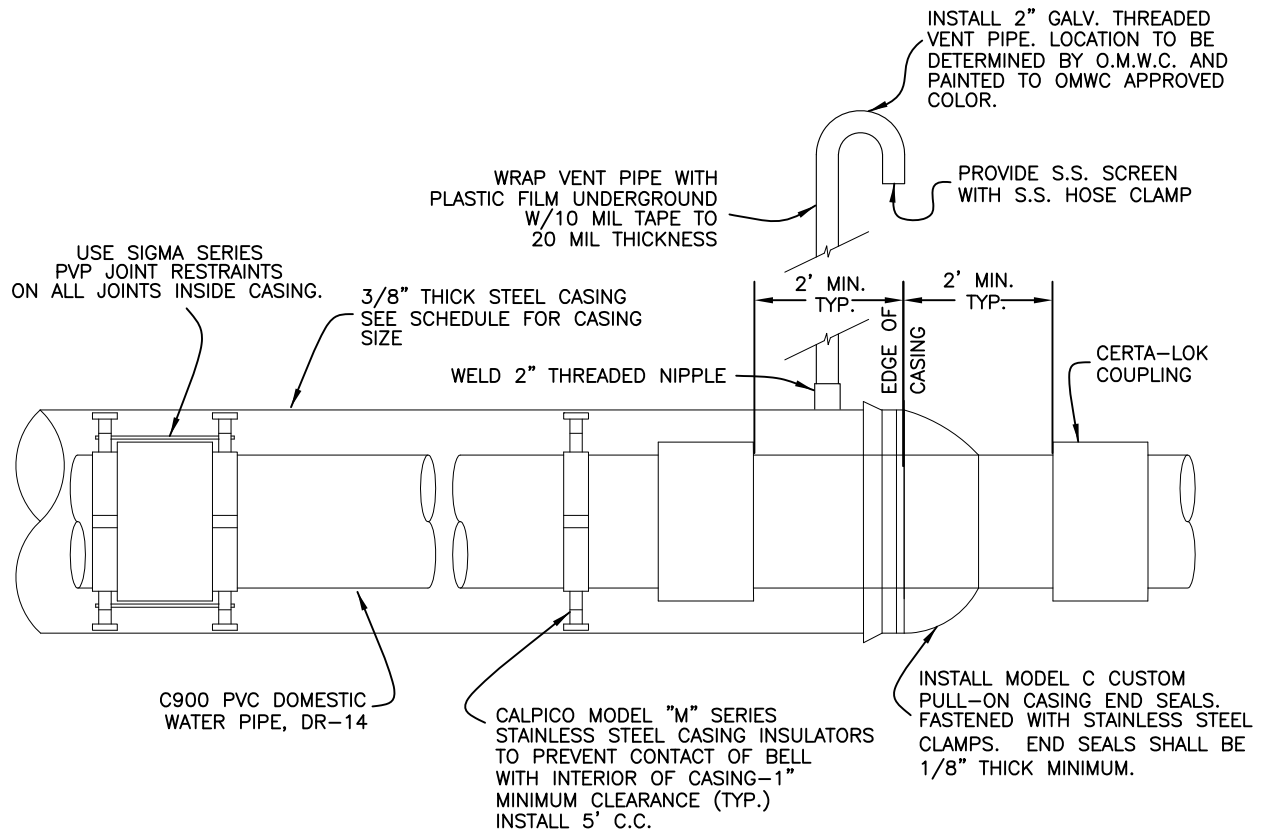
REV. DATE: 1/5/22

OILDALE MUTUAL WATER CO.

POTABLE/DOMESTIC
TIE-IN DETAIL
"AC" PIPE

DATE: 8/1/13

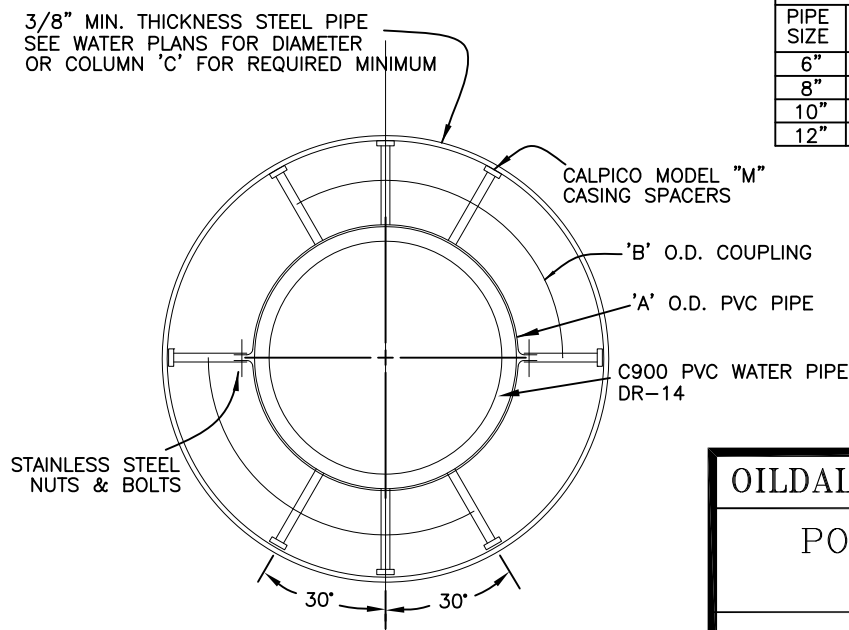
PLATE No. 20



NOTES:

1. STEEL CASING SHALL BE INSTALLED USING THE BORE, JACK AND/OR TUNNEL METHOD.
2. FULL PENETRATING WELDS SHALL BE USED TO JOIN CASING SECTIONS
3. CASING SPACERS SHALL BE INSTALLED AT 5 FT. INTERVALS OR AS RECOMMENDED BY THE PIPE MANUFACTURER. IN ANY CASE MINIMUM JOINT DEFLECTION SHALL BE OBSERVED.
4. CARE SHALL BE EXERCISED DURING INSTALLATION IN ORDER TO PREVENT DAMAGE TO PIPE AND BELL.
5. CONTRACTOR SHALL FOLLOW PIPE INSTALLATION PROCEDURES AS DETAILED BY THE PIPE MANUFACTURER.

DIAMETER SCHEDULE			
PIPE SIZE	A	B	C (MINIMUM ID)
6"	6.625"	7.84"	14"
8"	8.625"	10.19"	17.5"
10"	10.75"	12.44"	21.5"
12"	12.75"	14.65"	23"

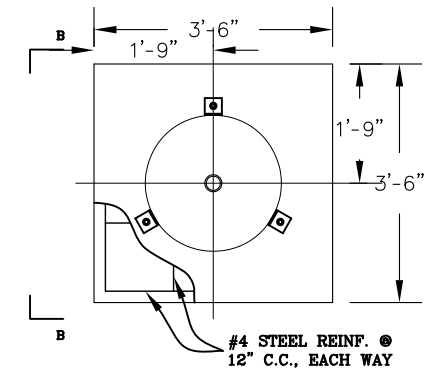
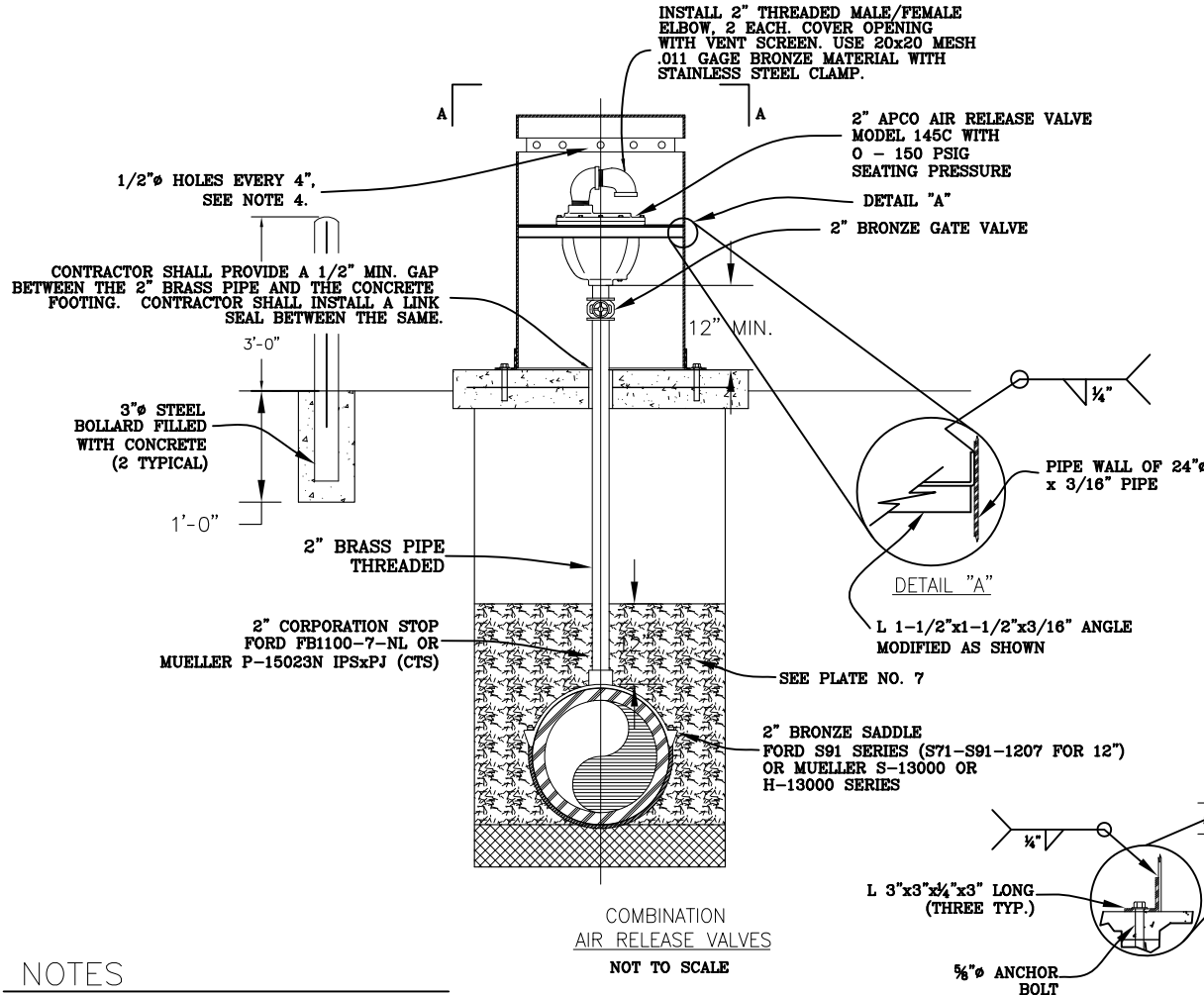


OILDALE MUTUAL WATER CO.

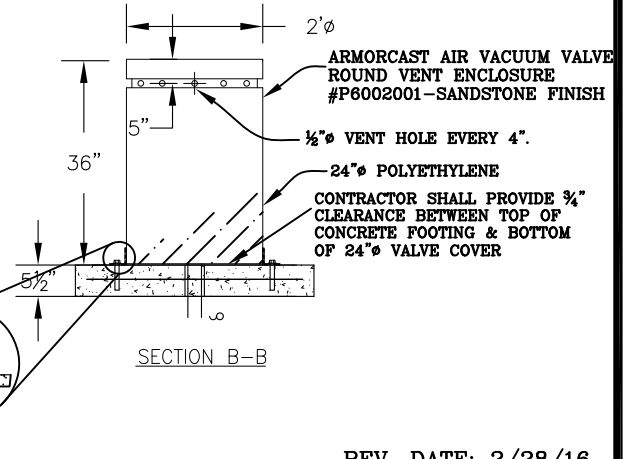
POTABLE/DOMESTIC
ROAD BORE

DATE: 8/1/13

PLATE No. 21



SECTION A-A
AIR RELEASE VALVE COVER DETAILS
NOT TO SCALE

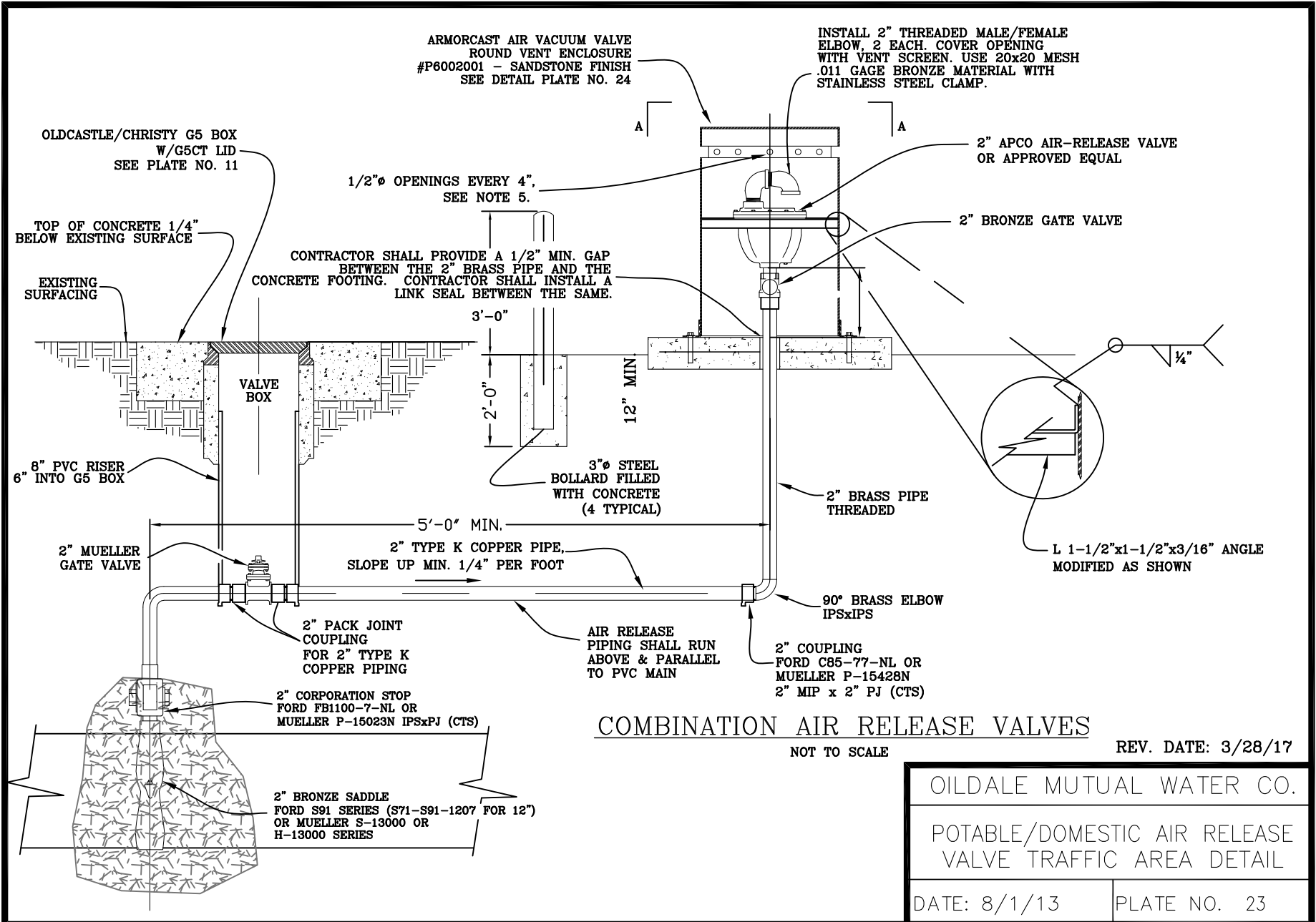


REV. DATE: 2/28/16

NOTES

1. THE CONTRACTOR SHALL VERIFY ALL DIMENSIONS OF PIPE, VALVES AND COVER TO ASSURE ADEQUATE CLEARANCES ARE GIVEN BETWEEN THE SAME.
2. CONTRACTOR SHALL TAKE CARE TO PROTECT ANY PVC PIPE USED FOR TRANSMISSION LINE PIPING DURING THE CONSTRUCTION OF THE VALVE COVER AND AIR RELEASE VALVE INSTALLATION SO AS TO NOT PLACE EXCESSIVE LOADS ON THE PIPE.
3. AIR RELEASE VALVES SHALL BE EPOXY LINED. EPOXY SHALL BE #134 SCOTCHKOTE SYSTEM.
4. ONE 1/2" Ø HOLE EVERY FOUR-INCHES AROUND CIRCUMFERENCE OF COVER TOP.
5. ALL ABOVE GROUND PIPE, VALVES, CONNECTIONS, & BOLLARDS SHALL BE PAINTED AS REQUIRED BY OILDALE MUTUAL WATER COMPANY TO APPROVED COLOR.
6. ALL BURIED STEEL PIPE FITTINGS AND APPURTENANCES SHALL BE FILM WRAPPED.
7. CONCRETE PAD SHALL BE 3000 PSI MIN.
8. VALVE COVER SHALL BE ARMORCAST #P002001-SANDSTONE COLOR OR OMWC APPROVED EQUAL

OILDALE MUTUAL WATER COMPANY	
POTABLE/DOMESTIC 2" AIR RELEASE VALVE DETAIL NON-TRAFFIC AREAS	
DATE: 8/1/13	PLATE No. 22



ARMORCAST AIR VACUUM VALVE
 ROUND VENT ENCLOSURE
 #P6002001 - SANDSTONE FINISH
 SEE DETAIL PLATE NO. 24

INSTALL 2" THREADED MALE/FEMALE
 ELBOW, 2 EACH. COVER OPENING
 WITH VENT SCREEN. USE 20x20 MESH
 011 GAGE BRONZE MATERIAL WITH
 STAINLESS STEEL CLAMP.

OLDCASTLE/CHRISTY G5 BOX
 W/G5CT LID
 SEE PLATE NO. 11

TOP OF CONCRETE 1/4"
 BELOW EXISTING SURFACE

EXISTING
 SURFACING

CONTRACTOR SHALL PROVIDE A 1/2" MIN. GAP
 BETWEEN THE 2" BRASS PIPE AND THE
 CONCRETE FOOTING. CONTRACTOR SHALL INSTALL A
 LINK SEAL BETWEEN THE SAME.

1/2"Ø OPENINGS EVERY 4",
 SEE NOTE 5.

2" APCO AIR-RELEASE VALVE
 OR APPROVED EQUAL

2" BRONZE GATE VALVE

3'-0"

12" MIN.

3"Ø STEEL
 BOLLARD FILLED
 WITH CONCRETE
 (4 TYPICAL)

8" PVC RISER
 6" INTO G5 BOX

VALVE
 BOX

5'-0" MIN.
 2" TYPE K COPPER PIPE,
 SLOPE UP MIN. 1/4" PER FOOT

2" BRASS PIPE
 THREADED

L 1-1/2"x1-1/2"x3/16" ANGLE
 MODIFIED AS SHOWN

2" MUELLER
 GATE VALVE

90° BRASS ELBOW
 IPSxIPS

2" PACK JOINT
 COUPLING
 FOR 2" TYPE K
 COPPER PIPING

AIR RELEASE
 PIPING SHALL RUN
 ABOVE & PARALLEL
 TO PVC MAIN

2" COUPLING
 FORD C85-77-NL OR
 MUELLER P-15428N
 2" MIP x 2" PJ (CTS)

2" CORPORATION STOP
 FORD FB1100-7-NL OR
 MUELLER P-15023N IPSxPJ (CTS)

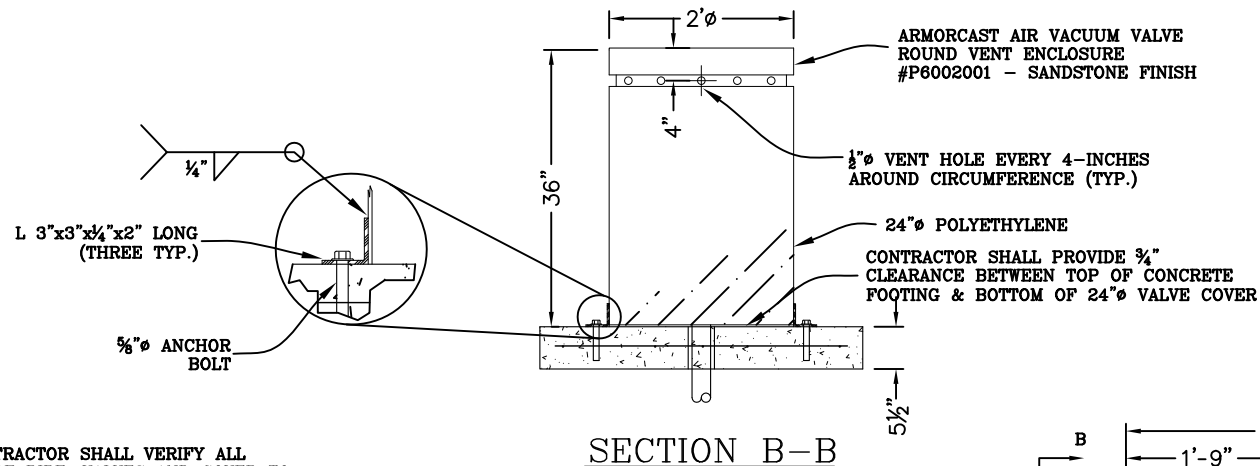
COMBINATION AIR RELEASE VALVES

NOT TO SCALE

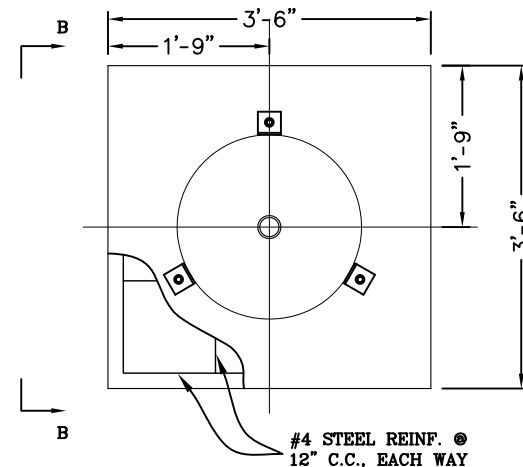
REV. DATE: 3/28/17

2" BRONZE SADDLE
 FORD S91 SERIES (S71-S91-1207 FOR 12")
 OR MUELLER S-13000 OR
 H-13000 SERIES

OILDALE MUTUAL WATER CO.	
POTABLE/DOMESTIC AIR RELEASE VALVE TRAFFIC AREA DETAIL	
DATE: 8/1/13	PLATE NO. 23



SECTION B-B



SECTION A-A

NOTES:

1. THE CONTRACTOR SHALL VERIFY ALL DIMENSIONS OF PIPE, VALVES AND COVER TO ASSURE ADEQUATE CLEARANCES ARE GIVEN BETWEEN THE SAME.
2. CONTRACTOR SHALL TAKE CARE TO PROTECT ANY PVC PIPE USED FOR TRANSMISSION LINE PIPING DURING THE CONSTRUCTION OF THE VALVE COVER AND AIR RELEASE VALVE INSTALLATION SO AS TO NOT PLACE EXCESSIVE LOADS ON THE PIPE.
3. AIR RELEASE VALVES SHALL BE EPOXY LINED. EPOXY SHALL BE #134 SCOTCHKOTE SYSTEM.
4. SOIL MATERIAL AND COMPACTION REQUIREMENTS SHALL BE THE SAME AS THE TRENCH DETAIL PLATE NO. 6 HEREON.
5. ONE 1/2"Ø HOLE EVERY FOUR-INCHES AROUND CIRCUMFERENCE OF COVER TOP.
6. ALL ABOVE GROUND PIPE, VALVES, CONNECTIONS, & BOLLARDS SHALL BE PAINTED AS REQUIRED BY OILDALE MUTUAL WATER COMPANY.
7. ALL BURIED STEEL PIPE FITTINGS AND APPURTENANCES SHALL BE FILM WRAPPED W/10 MIL TAPE TO A THICKNESS OF 20 MILS.
8. CONCRETE FOR FOOTING SHALL BE 3000 PSI MIN.
9. HEIGHT OF VALVE COVER SHALL BE 3'-0" FOR 2" COMBINATION AIR RELEASE VALVES (TYP.).
10. VALVE COVER SHALL BE ARMORCAST #P002001-SANDSTONE COLOR OR OMWC APPROVED EQUAL

AIR RELEASE VALVE COVER DETAILS

NOT TO SCALE

REV. DATE: 2/28/16

OILDALE MUTUAL WATER CO.	
POTABLE/DOMESTIC AIR RELEASE VALVE COVER DETAIL	
DATE: 8/1/13	PLATE NO. 24